

FORM: 1711-F  
NAME: Quash Fungicide  
KIND: Composite Book  
DATE: 3.4.15  
UCC: (01)00653204082084

PRODUCT SIZE: 12.5 ozs  
LABEL SIZE: 3.5"(w) x 3.5"(h) - book closed  
7"(w) x 3.5"(h) - book open  
4.25"(w) x 3.5"(h) - base  
Spec: 11696: .375

BLACK  
PMS 308 (blue)  
PMS 348 (green)  
Process Blue

GROUP 3 FUNGICIDE

**NET WEIGHT 12.5 OUNCES**

FOR CONTROL AND/OR SUPPRESSION OF CERTAIN DISEASES  
IN BUSHBERRIES (SUBGROUP 13-07B, INCLUDING BLUEBERRY),  
CANOLA, PEANUT, STONE FRUIT, TREE NUTS AND TUBEROUS  
AND CORM VEGETABLES (SUBGROUP 1C, INCLUDING POTATO)



Active Ingredient	By Wt.
Metconazole*	50%
Other Ingredients	50%
Total	100%

\*5-[[4-(chlorophenyl)methyl]-2,2-dimethyl-1-(1H-1,2,4-triazol-1-yl)methyl]cyclopentanol

Quash® Fungicide is a water dispersible granule containing 50% active ingredient.  
EPA Reg. No. 59639-147 EPA Est. 67545-AZ-01

**KEEP OUT OF REACH OF CHILDREN**

**CAUTION**

SEE NEXT PAGE FOR ADDITIONAL PRECAUTIONARY  
STATEMENTS AND FIRST AID.



Form 1711-F

3.5"

3.5"

**FIRST AID**

- If swallowed:** Call a poison control center or doctor immediately for treatment advice.  
Have person sip a glass of water if able to swallow.  
Do not induce vomiting unless told to do so by the poison control center or doctor.  
Do not give anything by mouth to an unconscious person.
- If in eyes:** Hold eye open and rinse slowly and gently with water for 15-20 minutes.  
Remove contact lenses, if present, after the first 5 minutes, then continue rinsing eye.  
Call a poison control center or doctor for treatment advice.

**HOT LINE NUMBER**

Have the product container or label with you when calling a poison control center or doctor, or going for treatment. You may also contact **800-892-0099** for emergency medical treatment information.

**PRECAUTIONARY STATEMENTS****HAZARDS TO HUMANS & DOMESTIC ANIMALS****CAUTION**

Harmful if swallowed. Causes moderate eye irritation. Avoid contact with eyes. Wash thoroughly with soap and water after handling and before eating, drinking, chewing gum or using tobacco.

**PERSONAL PROTECTIVE EQUIPMENT (PPE):**

**Applicators and other handlers must wear:** long-sleeved shirt and long pants, chemical-resistant gloves made of any waterproof material, socks and shoes.

Follow the manufacturer's instructions for cleaning/maintaining PPE. If no such instructions for washables exist, use detergent and hot water. Keep and wash PPE separately from other laundry.

2

**USER SAFETY RECOMMENDATIONS**

Users should:

- Wash hands before eating, drinking, chewing gum, using tobacco or using the toilet.
- Remove clothing immediately if pesticide gets inside. Then wash thoroughly and put on clean clothing.
- Remove PPE immediately after handling this product. Wash the outside of gloves before removing. As soon as possible, wash thoroughly and change into clean clothing.

**ENVIRONMENTAL HAZARDS**

This pesticide is toxic to birds, mammals, fish and aquatic invertebrates. Do not apply directly to water, or to areas where surface water is present or to intertidal areas below the mean high water mark. Do not contaminate water when disposing of equipment washwater or rinsate.

This chemical has properties and characteristics associated with chemicals detected in ground water. The use of this chemical in areas where soils are permeable, particularly where the water table is shallow, may result in ground-water contamination.

*Quash* Fungicide may impact surface water quality through runoff of rain water. This product has a high potential for runoff for several months or more after application. Poorly draining soils and soils with shallow water tables are more prone to produce runoff that contains this product. A level, well maintained vegetative buffer strip between areas to which this product is applied and surface water features such as ponds, streams, and springs will reduce the potential for contamination of water from rainfall-runoff. Runoff of this product will be reduced by avoiding applications when rainfall is forecasted to occur within 48 hours.

**DIRECTIONS FOR USE**

It is a violation of Federal law to use this product in a manner inconsistent with its labeling.

3

3.5"

3.5"

7"

3.5"

Do not apply this product in a way that will contact workers or other persons, either directly or through drift. Only protected handlers may be in the area during application. For any requirements specific to your State or Tribe, consult the agency responsible for pesticide regulation.

#### AGRICULTURAL USE REQUIREMENTS

Use this product only in accordance with its labeling and with the Worker Protection Standard, 40 CFR part 170. This Standard contains requirements for the protection of agricultural workers on farms, forests, nurseries and greenhouses and handlers of agricultural pesticides. It contains requirements for training, decontamination, notification and emergency assistance. It also contains specific instructions and exceptions pertaining to the statements on this label about personal protective equipment (PPE) and restricted entry interval. The requirements in this box only apply to uses of this product that are covered by the Worker Protection Standard.

Do not enter or allow worker entry into treated areas during the restricted entry interval (REI) of 12 hours.

PPE required for early entry to treated areas that is permitted under the Worker Protection Standard and that involves contact with anything that has been treated, such as plants, soil or water, is coveralls, chemical-resistant gloves made of any waterproof material, socks and shoes.

#### DISCLAIMER, RISKS OF USING THIS PRODUCT, LIMITED WARRANTY AND LIMITATION OF LIABILITY

**IMPORTANT: Read the entire Label including this Disclaimer, Risks of Using this Product, Limited Warranty, and Limitation of Liability before using this**

(continued)

4

(continued)

**product. If the terms are not acceptable THEN DO NOT USE THE PRODUCT; rather, return the unopened product within 15 days of purchase for a refund of the purchase price.**

#### RISKS OF USING THIS PRODUCT

The Buyer and User (referred to collectively herein as "Buyer") of this product should be aware that there are inherent unintended risks associated with the use of this product which are impossible to eliminate. These risks include, but are not limited to, injury to plants and crops to which this product is applied, lack of control of the target pests or weeds, resistance of the target pest or weeds to this product. Such risks of crop injury, non-performance, resistance or other unintended consequences are unavoidable and may result because of such factors as weather, soil conditions, disease, moisture conditions, irrigation practices, condition of the crop at the time of application, presence of other materials either applied in the tank mix with this product or prior to application of this product, cultural practices or the manner of use or application, (or a combination of such factors) all of which are factors beyond the control of Valent. The Buyer should be aware that these inherent unintended risks may reduce the harvested yield of the crop in all or a portion of the treated acreage, or otherwise affect the crop such that additional care, treatment and expense are required to take the crop to harvest. If the Buyer chooses not to accept these risks, THEN DO NOT APPLY PRODUCT. By applying this product Buyer acknowledges and accepts these inherent unintended risks AND AGREES THAT TO THE EXTENT CONSISTENT WITH APPLICABLE LAW, RISKS ASSOCIATED WITH THE APPLICATION AND USE ARE ASSUMED BY THE BUYER. To the extent consistent with applicable law, Valent shall not be responsible for losses or damages (including, but not limited to, loss of yield, increased expenses of farming the crop or such incidental, consequential or

(continued)

5

3.5"

3.5"

7"

3.5"

(continued)

special damages that may be claimed) resulting from use of this product in any manner not set forth on the label. To the extent consistent with applicable law, Buyer assumes all risks associated with the use of this product in any manner or under conditions not specifically directed or approved on the label.

**LIMITED WARRANTY**

Valent warrants only that this product conforms to the chemical description on the label and is reasonably fit for the purposes stated in the label, under average use conditions, when used strictly in accordance with the label **and subject to the Risks of Using This Product as described above. TO THE EXTENT CONSISTENT WITH APPLICABLE LAW, EXCEPT AS SET FORTH ABOVE, VALENT MAKES NO OTHER WARRANTIES, EITHER EXPRESSED OR IMPLIED.** No agent or representative of Valent or Seller is authorized to make or create any other express or implied warranty.

**LIMITATION OF LIABILITY**

**To the extent consistent with applicable law, Valent or Seller shall not be liable for any incidental, consequential, indirect or special damages resulting from the use or handling of this product. The limitation includes, but is not limited to, loss of yield on all or any portion of the treated acreage, increased care, treatment or other expenses required to take the crop to harvest, increased finance charges or altered finance ratings, emotional or mental distress and/or exemplary damages. TO THE FULLEST EXTENT ALLOWED BY LAW, THE EXCLUSIVE REMEDY OF THE BUYER, AND THE EXCLUSIVE MAXIMUM LIABILITY OF VALENT OR SELLER FOR ANY AND ALL CLAIMS, LOSSES, INJURIES OR DAMAGES (INCLUDING CLAIMS BASED ON BREACH OF WARRANTY, CONTRACT, NEGLIGENCE, TORT, STRICT LIABILITY OR OTHERWISE)**

(continued)

6

3.5"

(continued)

**RESULTING FROM THE USE OR HANDLING OF THIS PRODUCT SHALL BE THE RETURN OF THE PURCHASE PRICE OF THIS PRODUCT OR, AT THE ELECTION OF VALENT OR SELLER, THE REPLACEMENT OF THE PRODUCT.**

**PROMPT NOTICE OF CLAIM**

To the extent consistent with applicable law, Valent must be provided notice as soon as Buyer has reason to believe it may have a claim, but in no event later than twenty-one days from date of planting, or twenty-one days from the date of application, whichever is latter, so that an immediate inspection of the affected property and growing crops can be made.

To the extent consistent with applicable law, if Buyer does not notify Valent of any claims, in such period, it shall be barred from obtaining any remedy.

**NO AMENDMENTS**

Valent and Seller offer this product, and Buyer accepts it, subject to the foregoing **Disclaimer, Risks of Using This Product, Limited Warranty and Limitation of Liability**, which may not be modified by any oral or written agreement.

7

3.5"

7"

3.5"

## TABLE OF CONTENTS

Product Information .....	9
Mode of Action .....	9
Resistance Management .....	9-11
Rainfastness .....	11
Jar Test to Determine Compatibility of Adjuvants and <i>Quash</i> Fungicide .....	11
Sprayer Preparation .....	11-12
Application Equipment .....	12
Sprayer Cleanup .....	12
Mixing Instructions .....	12
Carrier Volume .....	13
Chemigation .....	13-16
Aerial Application .....	17
Spray Drift Management .....	18
Rotational Restrictions .....	18
Restrictions and Limitations – All Crops .....	18
Crop Specific Directions, Restrictions and Limitations – Bushberries Subgroup 13-07B .....	21
Crop Specific Directions, Restrictions and Limitations – Canola .....	22
Crop Specific Directions, Restrictions and Limitations – Peanut .....	23
Crop Specific Recommendation, Restrictions and Limitations – Tuberous and Corm Vegetables (Subgroup 1C, including potato) .....	24
Crop Specific Directions, Restrictions and Limitations – Stone Fruit .....	25-28
Crop Specific Directions, Restrictions and Limitations – Tree Nuts .....	29-32
Storage and Disposal .....	33

## PRODUCT INFORMATION

**READ ENTIRE LABEL. USE STRICTLY IN ACCORDANCE WITH PRECAUTIONARY STATEMENTS AND DIRECTIONS, AND WITH APPLICABLE STATE AND FEDERAL REGULATIONS.**

*Quash* Fungicide is formulated as a 50% water dispersible granule (WDG). The active ingredient in *Quash* Fungicide is metconazole, a broad-spectrum triazole fungicide that works by inhibiting demethylation and other processes in sterol biosynthesis. *Quash* Fungicide is systemic and is quickly absorbed into plant tissue and can move up, but not down in the plant. Metconazole has no effect on fungal spore germination, but interferes with other early developmental processes in the life cycle of certain fungi. Although *Quash* Fungicide cannot prevent spore germination, it prevents spore formation and inhibits mycelial growth.

*Quash* Fungicide can be applied pre- or post-infection, but is most effective when applied prior to infection. Optimal disease control is achieved when *Quash* Fungicide is applied in a regularly scheduled spray program used in combination and/or rotation with other effective fungicides that have different modes of action (i.e., non-Group 3 fungicides). *Quash* Fungicide is a sterol biosynthesis inhibitor; avoid rotating with other sterol biosynthesis inhibitors, such as Folicur®, Nova®, Procure® or Tilt®.

**MODE OF ACTION**

The active ingredient in *Quash* Fungicide, metconazole, belongs to the sterol biosynthesis inhibitor group of fungicides as classified by the U.S. EPA and Canada PMRA as a target site of action Group 3 fungicide.

**RESISTANCE MANAGEMENT**

*Quash* Fungicide contains metconazole, a Group 3 fungicide (sterol biosynthesis inhibitors). Metconazole is effective against pathogens resistant to fungicides with modes of action different from those of target site Group 3 fungicides, (e.g., dicarboximides, strobilurins, benzimidazoles or phenylamides). Resistant isolates may eventually dominate the fungal population if used repeatedly at the same site or in successive years as the primary method of control for the targeted pathogen

species. Selection for resistance may be particularly rapid if resistance to Group 3 fungicides is already present in the pathogen population. This may result in reduced disease control by *Quash* Fungicide or other Group 3 fungicides. Group 3 resistance may result in reduced disease control by *Quash* Fungicide or other Group 3 fungicides. To maintain the performance of *Quash* Fungicide in the field, do not exceed the total number of sequential applications or the total number of seasonal applications of *Quash* Fungicide as stated in "CROP SPECIFIC DIRECTIONS, RESTRICTIONS, AND LIMITATIONS." Adhere to the label instructions regarding the consecutive uses of *Quash* Fungicide or other target site of action Group 3 fungicides on the same pathogens. The following recommendations may be considered to further delay the development of Group 3 fungicide resistance:

1. **Tank Mixtures:** If *Quash* Fungicide is used in tank mixtures with fungicides from different target site of action groups that are registered and/or permitted for the same use and that are effective against the pathogens of concern, Valent recommends using at least the minimum labeled rates of each fungicide in the tank mix. Do not tank mix with any product which contains a prohibition on tank mixing. Follow the more restrictive labeling of any tank mix partner.
2. **Integrated Pest Management (IPM):** *Quash* Fungicide should be integrated into an overall disease and pest management program. Cultural practices known to reduce disease development should be followed. Consult your local extension specialist, certified crop advisor and/or Valent representative for additional IPM strategies established for your area. *Quash* Fungicide may be used in advisory (disease forecasting) programs, which recommend application timing based on environmental factors favorable for disease development.
3. **Monitoring:** Monitor efficacy of all fungicides used in the disease management program against the targeted pathogen and record other factors that may influence fungicide performance and/or disease development.
4. **Reporting:** If a Group 3 target site fungicide appears to be less or no longer effective against a pathogen that it previously controlled or suppressed, con-

10

tact a Valent representative, local extension specialist and/or certified crop advisor to assist in determining the cause of reduced performance.

#### RAINFASTNESS

*Quash* Fungicide is rainfast 2 hours after application. Applications should not be made if rain is expected within 2 hours of application or disease control may be reduced.

#### JAR TEST TO DETERMINE COMPATIBILITY OF ADJUVANTS AND QUASH FUNGICIDE

A jar test should be performed before mixing commercial quantities of *Quash* Fungicide, when using this product for the first time, when using new adjuvants, when using new tank mixes, or when using a new water source.

1. Add 1 pt of the water to a quart jar. The water should be from the same source and temperature as that to be used in the spray tank mixing operation.
2. Add 2 g of *Quash* Fungicide to the quart jar, gently mix until product goes into suspension.
3. Add 1 ml of new adjuvant and/or appropriate amount of new tank mix partner and gently mix.
4. Place cap on jar, invert 10 times, let stand for 15 minutes, evaluate.
5. An acceptable tank mix combination will have a smooth, uniform appearance. If any of the following conditions are observed, the choice of spray mix components should be questioned:
  - a) Layer of oil or globules on the mixture's surface.
  - b) Flocculation: formation of fluffy, cloudlike aggregates or masses in suspension or as a layer on the bottom of the jar.
  - c) Clabbering: thickening texture (coagulated) like gelatin or cottage cheese.

#### SPRAYER PREPARATION

Before applying *Quash* Fungicide, start with clean, well maintained application equipment. The spray tank hoses and booms must be cleaned to ensure no residue from the previous spraying operations remain in the sprayer. The spray equipment must be cleaned according to the manufacturer's directions for the last product used before the equipment is used to apply *Quash* Fungicide. If two

11

3.5"

7"

3.5"

3.5"

or more products were tank mixed prior to *Quash* Fungicide application, the most restrictive cleanup procedure must be followed.

#### APPLICATION EQUIPMENT

Application equipment must be clean and in good repair. Check nozzles frequently for accuracy.

#### SPRAYER CLEANUP

Clean sprayer equipment each day following *Quash* Fungicide application. After application is complete, use the following steps to clean spray equipment:

1. Completely drain the spray tank, rinse the sprayer thoroughly, including the inside and outside of the tank and all in-line screens.
2. Fill the spray tank with clean water and flush all hoses, booms, screens and nozzles.
3. Drain tank completely.
4. Remove all nozzles and screens and rinse them in clean water.

#### MIXING INSTRUCTIONS

1. Fill clean spray tank 1/2 to 2/3 of desired level with clean water.
2. While agitating, slowly add the *Quash* Fungicide to the spray tank. Agitate to create a rippling or rolling action on the water surface.
3. If tank mixing *Quash* Fungicide with other labeled pesticides, add water soluble bags first, followed by dry formulations, flowables, emulsifiable concentrates and then solutions.
4. If tank mixing *Quash* Fungicide with other labeled pesticides, follow more restrictive limitations or cautions on labels of all products. Do not tank mix with any products which contain a prohibition on tank mixing.
5. Add any required adjuvants.
6. Fill spray tank to desired level with water. Continue agitation until all spray solution has been applied.
7. Mix only the amount of spray solution that can be applied the day of mixing. Apply *Quash* Fungicide within 24 hours of mixing.

12

#### CARRIER VOLUME

Apply *Quash* Fungicide in sufficient water to ensure thorough coverage of foliage, blossoms and fruit. Thorough coverage is required for optimal disease control. Follow individual "CROP SPECIFIC DIRECTIONS, RESTRICTIONS, AND LIMITATIONS" for appropriate spray volumes.

#### CHEMIGATION

##### Through Irrigation Systems

*Quash* Fungicide may be applied through irrigation systems alone or in combination with other products which are also registered for sprinkler application. Apply this product only through center pivot, lateral move, end tow, side (wheel) roll, traveler, big gun, solid set or hand move irrigation systems. Do not apply this product through any other type of irrigation system. Crop injury, lack of effectiveness, or illegal pesticide residues in the crop can result from non-uniform distribution of treated water. If you have questions about calibration, contact your State Extension Service specialist, equipment manufacturer or other experts. A person knowledgeable of the chemigation system and responsible for its operation, or under the supervision of the responsible person, shall shut the system down and make necessary adjustments should the need arise.

##### Using Water from Public Water Systems

• **Do not apply *Quash* Fungicide through any irrigation system physically connected to a public water system.**

Public water system means a system for the provision to the public of piped water for human consumption if such system has at least 15 service connections or regularly serves an average of at least 25 individuals daily at least 60 days per year. *Quash* Fungicide may be applied through irrigation systems which may be supplied by a public water system only if the water from the public water system is discharged into a reservoir tank prior to pesticide introduction. There shall be a complete physical break (air gap) between the outlet end of the fill pipe and to top or overflow rim of the reservoir tank of at least twice the inside diameter of the fill pipe. Before beginning chemigation, always make sure that the air gap exists and

13

3.5"

3.5"

7"

3.5"

that there is no blockage of the overflow of the reservoir tank.

Any irrigation system using water supplied from a public water system must also meet the following requirements:

#### Operating Instructions for All Specified Types of Irrigation Systems

1. The system must be calibrated to uniformly apply the rates specified. If you have questions about calibration, contact your State Extension Service specialist, equipment manufacturer or other experts.
2. The system must contain a functional check valve, vacuum relief valve, and low pressure drain appropriately located on the irrigation pipeline to prevent water source contamination from backflow.
3. The pesticide injection pipeline must contain a functional, automatic, quick closing check valve to prevent the flow of fluid back toward the injection pump.
4. The pesticide injection pipeline must also contain a functional, normally closed, solenoid operated valve located on the intake side of the injection pump and connected to the system interlock to prevent fluid from being withdrawn from the supply tank when the irrigation system is either automatically or manually shut down.
5. The system must contain functional interlocking controls to automatically shut off the pesticide injection pump when the water pump motor stops, or in cases where there is no water pump, when the water pressure decreases to the point where pesticide distribution is adversely affected.
6. The irrigation line or water pump must include a functional pressure switch which will stop the water pump motor when the water pressure decreases to the point where pesticide distribution is adversely affected.
7. Systems must use a metering pump, such as a positive displacement injection pump (e.g., diaphragm pump) effectively designed and constructed of materials that are compatible with pesticides and capable of being fitted with a system interlock.
8. Do not apply when wind speed favors drift beyond the area intended.

14

#### Calibration and Application Instructions

Apply *Quash* Fungicide under the schedule specified in the specific crop use directions, not according to the irrigation schedule, unless the events coincide. In general, set the equipment to apply the minimum amount of water per acre. Run the system at 85 to 90% of the manufacturer's maximum rated travel speed.

The following calibration and application techniques are provided for user reference, but do not constitute a warranty of fitness for application through sprinkler irrigation equipment. Check with state and local regulatory agencies for potential use restrictions before applying any agricultural chemical through sprinkler irrigation equipment.

#### Center Pivot Irrigation Equipment

1. Use only drive systems that provide uniform water distribution.
2. Do not use end guns when chemigating *Quash* Fungicide through center pivot systems because of non-uniform application.
3. Plug the first nozzle closest to the well head to protect the water source.
4. Determine the size of the area to be treated.
5. Determine the time required to apply 0.1 to 0.25 inches of water over the area to be treated when the system and injection equipment are operated at normal pressures as recommended by the equipment manufacturer. Run the system at 80 to 95% of the manufacturer's rated maximum travel speed.
6. Using water, determine the injection pump output when operated at normal line pressure.
7. Determine the amount of *Quash* Fungicide, and any tank mix partners, required to treat the area covered by the irrigation system.
8. Add the required amount of *Quash* Fungicide, and any tank mix partners, and sufficient water to meet the injection time requirements to the solution tanks. (See "Mixing Instructions" section of this label.)
9. Make sure the system is fully charged with water before starting injection of the *Quash* Fungicide solution. Time the injection to last at least as long as it takes to bring the system to full pressure.

15

3.5"

3.5"

7"

3.5"



- Maintain constant agitation in the solution tank during the injection period.
- Inject the specified amount of *Quash* Fungicide per acre continuously for one complete revolution of the system.
- Stop the injection equipment after treatment is complete. Continue to operate the system until the *Quash* Fungicide solution has cleared all of the sprinkler heads.
- Allow time for all lines to flush the pesticide through all nozzles before turning off irrigation water.

**Lateral Move, End Tow, Side (Wheel) Roll, Traveler, Big Gun, Solid Set or Hand Move Irrigation Equipment**

- Determine the acreage covered by the sprinklers.
- Fill injector solution tank with plain water and calibrate the flow rate of the system to deliver the contents of the tank over a 20 to 40 minute time interval.
- Calculate the amount of product required to treat the area covered by the irrigation system.
- Add the required amount of *Quash* Fungicide, and any other tank mix partners, into the same quantity of water used to calibrate the injection period. (See "Mixing Instructions" section of this label.)
- Operate the system at the same pressure and time interval established during the calibration.
- Inject specified amount of *Quash* Fungicide per acre for either a 20 to 40 minute period at the end of a regular irrigation set, or as a 20 to 40 minute injection as a separate application not associated with a regular irrigation to maximize retention of the insecticide by the foliage.
- Stop injection equipment after treatment is completed. Continue to operate the system until the *Quash* Fungicide solution has cleared the last sprinkler head. To ensure lines are flushed and free from remaining pesticides, a dye indicator may be injected into the lines to mark the end of the application period.

16

**AERIAL APPLICATION**

To minimize drift, apply the largest droplet size consistent with uniform coverage and satisfactory disease control. To obtain satisfactory application and avoid drift, the following directions must be observed:

Do not apply during low level inversion conditions, when winds are gusty or under other conditions that favor drift. Do not spray when wind velocity is less than 2 mph or more than 10 mph.

• **Carrier Volume and Spray Pressure**

Do not exceed the nozzle manufacturer's recommended pressures. For many nozzle types, lower pressures produce larger droplets. When higher flow rates are needed, use higher flow rate nozzles instead of increasing pressure.

Use a minimum of 5 gals of water per acre or the minimum volume specified in the crop specific directions, restrictions and limitations. Higher gallonage applications generally afford more consistent disease control.

**For aerial application on orchards:** use a minimum of 20 gals of water per acre.

• **Nozzle Selection and Orientation**

Formation of very small drops may be minimized by appropriate nozzle selection, by orienting nozzles away from the air stream as much as possible and by avoiding excessive spray pressure. Use nozzles that produce flat fan or cone spray patterns. Use non-drip type nozzles, such as diaphragm type nozzles, to avoid unwanted discharge of spray solution. The nozzles must be directed toward the rear of the aircraft, producing a spray discharge at an angle between 0 and 15° downward. Do not place nozzles on the outer 25% of the wings or rotors.

• **Drift Control Additives**

Drift control additives may be used. For drift control, coarser sprays through appropriate nozzle and pressure selection is usually more effective. When a drift control additive is used, read and carefully observe the cautionary statements and all other information appearing on the additive label. Compatibility of all of the tank mix and nozzle types being used should be tested.

17

3.5"

7"

3.5"

3.5"

**SPRAY DRIFT MANAGEMENT**

Avoiding spray drift at the application site is the responsibility of the applicator. Do not apply this product when weather conditions favor spray drift from treated areas. The interaction of many equipment and weather related factors determine the potential for spray drift. The applicator is responsible for considering all of these factors when making decisions. Where states have more stringent regulations, they must be observed.

Do not apply this product when weather conditions favor spray drift from treated areas. When applying by air, observe drift management restrictions and precautions listed under "AERIAL APPLICATION."

**ROTATIONAL RESTRICTIONS**

- Immediate plant back is allowed for Barley, Corn, Cotton, Oat, Peanut, Rye, Soybean, Sugar Beet, Triticale, Wheat and those crops listed on the label.
- A 30-day plant back interval is required for Brassica Leafy Vegetables and Leafy Vegetables.
- Do not plant any crop, except Barley, Corn, Cotton, Oat, Peanut, Rye, Soybean, Sugar Beet, Triticale, Wheat, Brassica Leafy Vegetables, Leafy Vegetables and those crops listed on the label earlier than 120 days after applying *Quash* Fungicide.

**RESTRICTIONS AND LIMITATIONS – ALL CROPS**

1. Maximum seasonal use rate: Do not apply more than the maximum rate per acre per season as listed in "CROP SPECIFIC DIRECTIONS, RESTRICTIONS AND LIMITATIONS."
2. Maximum rate per application: Do not apply more than the maximum rate per acre per application as listed in "CROP SPECIFIC DIRECTIONS, RESTRICTIONS AND LIMITATIONS."
3. Do not make more than the total number of applications of *Quash* Fungicide per season as listed in "CROP SPECIFIC DIRECTIONS, RESTRICTIONS AND LIMITATIONS."
4. Preharvest Interval (PHI): See "CROP SPECIFIC DIRECTIONS, RESTRICTIONS AND LIMITATIONS."

18

Crops	Minimum Time from Application to Harvest (PHI) Days	Maximum Rate per Acre per Application (oz)	Maximum Number of Sequential Applications	Maximum Number of Applications per Season	Maximum Rate per Acre per Season (oz)	Livestock Grazing or Feeding Restriction
Bushberries (Subgroup 13-07B)	7	2.5 (0.078 lb ai/A)	2	3	7.5 (0.234 lb ai/A)	No
Canola	35	4.0 (0.125 lb ai/A)	1	1	4.0 (0.125 lb ai/A)	No
Peanut	14	4.0 (0.125 lb ai/A)	4	4	16 (0.500 lb ai/A)	Yes
Pistachio	25	4.0 (0.125 lb ai/A)	2	4	16 (0.500 lb ai/A)	No
Tuberous and Corm Vegetables (Subgroup 1C, including potato)	1	4.0 (0.125 lb ai/A)	2	4	16 (0.500 lb ai/A)	No

(continued)

19

3.5"

3.5"

7"

3.5"

Crops	Minimum Time from Application to Harvest (PHI) Days	Maximum Rate per Acre per Application (oz)	Maximum Number of Sequential Applications	Maximum Number of Applications per Season	Maximum Rate per Acre per Season (oz)	Livestock Grazing or Feeding Restriction
Stone Fruits: Apricot Cherry Nectarine Peach Plum Plumcot Prune (fresh)	14	4.0 (0.125 lb ai/A)	2	3	12 (0.375 lb ai/A)	No
Tree Nuts: Almond Beech Nut Brazil Nut Butternut Cashew Chestnut Chinquapin Filbert Hickory Nut Macadamia Nut Pecan Walnut	25	3.5 (0.11 lb ai/A)	2	4	14 (0.438 lb ai/A)	No

20

**CROP SPECIFIC DIRECTIONS, RESTRICTIONS AND LIMITATIONS – BUSHBERRIES**  
(Subgroup 13-07B)

**Aronia Berry; Blueberry, Highbush; Blueberry, Lowbush; Buffalo Currant; Chilean Guava; Cranberry, Highbush; Currant, Black; Currant, Red; Elderberry; European Barberry; Gooseberry; Honeysuckle (edible); Huckleberry; Jostaberry; Juneberry (Saskatoon Berry); Lingonberry; Native Currant; Salal; Sea Buckthorn; cultivars, varieties and/or hybrids of these**

Disease	Application Rates		When to Apply	Special Use Instructions	Use Restrictions
	oz/A	GPA			
Alternaria Leaf Spot and Fruit Rot ( <i>Alternaria tenuissima</i> ) Anthracnose Fruit Rot (Ripe Rot) ( <i>Colletotrichum</i> spp.) Botryosphaeria Stem Canker and Blight ( <i>Botryosphaeria</i> spp.) Botrytis Blight and Fruit Rot ( <i>Botrytis cinerea</i> ) Exobasidium Fruit and Leaf Spot ( <i>Exobasidium vaccinii</i> ) Leaf Rust ( <i>Pucciniastrum vaccinii</i> ) Mummy Berry ( <i>Monilinia vaccinii-corymbosi</i> ) Phomopsis Canker, Leaf Spot, Twig Blight and Fruit Rot ( <i>Phomopsis vaccinii</i> ) Powdery Mildew ( <i>Microsphaera vaccinii</i> ) Septoria Leaf Spot and Stem Canker ( <i>Septoria albopunctata</i> )	2.5 (0.078 lb ai/A)	Ground: Minimum 20 GPA  Aerial: Minimum 10 GPA	Apply when conditions favor disease development and prior to infection. Continue applications on a 7 to 14-day interval.	Use <i>Quash</i> Fungicide as part of an Integrated Pest Management (IPM) program.  Use a non-Group 3 fungicide, with activity on the target disease, in alternation with <i>Quash</i> Fungicide.  Apply as a foliar spray in sufficient water to obtain thorough coverage of blossoms, foliage and/or fruit.	<ul style="list-style-type: none"> <li>Do not apply within 7 days of harvest.</li> <li>Do not make more than 3 applications per season.</li> <li>Do not apply more than 7.5 oz/A per season.</li> <li>Do not make more than 2 sequential applications.</li> </ul>

21

3.5"

3.5"

7"

3.5"

## CROP SPECIFIC DIRECTIONS, RESTRICTIONS AND LIMITATIONS

CANOLA					
Diseases	Application Rates		When to Apply	Special Use Instructions	Use Restrictions
	oz/A	GPA			
White Mold/ Sclerotinia Stem Rot ( <i>Sclerotinia sclerotiorum</i> )	2.0 to 4.0 (0.0625 to 0.125 lb ai/A)	10 to 20  Aerial: Minimum 5 GPA	Make application between 20% and 50% bloom.	Use <i>Quash</i> Fungicide as a part of an Integrated Pest Management (IPM) program.  Apply as a foliar spray in sufficient water to obtain thorough coverage of the plant.  Under high disease pressure, use the application rate of 4 oz/A.	<ul style="list-style-type: none"> <li>Do not apply within 35 days of harvest.</li> <li>Do not apply more than 4 oz/A per season.</li> <li>Do not make more than one application per season.</li> </ul>

22

## CROP SPECIFIC DIRECTIONS, RESTRICTIONS AND LIMITATIONS

PEANUT					
Disease	Application Rates		When to Apply	Special Use Instructions	Use Restrictions
	oz/A	GPA			
Leaf Spot – Early ( <i>Cercospora arachidicola</i> ) Leaf Spot – Late ( <i>Cercosporidium personatum</i> ) Rust ( <i>Puccinia arachidis</i> )	1.75 to 2.5 (0.054 to 0.078 lb ai/A)	10 to 20  Aerial: Minimum 5 GPA	Schedule: Apply <i>Quash</i> Fungicide in applications 1, 2, 6 and 7 on a 14 day schedule. Applications 3, 4 and 5 should target leaf spot and rust with a non-Group 3 fungicide.	For optimal control of leaf spot and rust, tank mix <i>Quash</i> Fungicide with a non-ionic surfactant.	<ul style="list-style-type: none"> <li>Do not apply within 14 days of harvest.</li> <li>Do not apply more than 16 oz/A per season.</li> <li>Do not harvest peanut straw for livestock feed.</li> </ul>
Stem Rot/ Southern Blight ( <i>Sclerotium rolfsii</i> )	2.5 to 4.0 (0.078 to 0.125 lb ai/A)	15 to 20  Aerial: Minimum 5 GPA	Make applications on a 14 day schedule. Apply <i>Quash</i> Fungicide in applications 3, 4, 5 and 6. Tank mix <i>Headline</i> ® with <i>Quash</i> Fungicide in applications 4 and 6 for resistance management.  Applications 1, 2 and 7 should target leaf spot with a non-Group 3 fungicide such as chlorothalonil.	Apply as a foliar spray in sufficient water to obtain thorough coverage of the plant.  Under high disease pressure use the higher rate.	

23

3.5"

7"

3.5"

3.5"

**CROP SPECIFIC DIRECTIONS, RESTRICTIONS AND LIMITATIONS – TUBEROUS AND CORM VEGETABLES (Subgroup 1C)**

Arracacha; Arrowroot; Artichoke, Chinese; Artichoke, Jerusalem; Canna, (edible); Cassava, (Bitter and Sweet); Chayote (root); Chufa; Dasheen (taro); Ginger; Leren; Potato; Sweet Potato; Tanier; Turmeric; Yam Bean; Yam, True					
Diseases	Application Rates		When to Apply	Special Use Instructions	Use Restrictions
	oz/A	GPA			
Black Dot ( <i>Colletotrichum coccodes</i> ) Brown Spot ( <i>Alternaria alternata</i> ) Early Blight ( <i>Alternaria solani</i> ) Gray Mold ( <i>Botrytis cinerea</i> ) (suppression) Powdery Mildew ( <i>Erysiphe cichoracearum</i> ) Anthracnose ( <i>Colletotrichum acutatum</i> )	2.5 to 4.0 (0.078 to 0.125 lb ai/A)	Ground: Minimum 10  Aerial: Minimum 5 GPA	Apply when conditions favor disease development and prior to infection. If conditions favor disease development, make additional applications at 7 to 10-day intervals.	Use <i>Quash</i> Fungicide as part of an Integrated Pest Management (IPM) program. Apply as a foliar spray in sufficient water to obtain thorough coverage of plant.	<ul style="list-style-type: none"> <li>Do not make more than 4 applications per season.</li> <li>Do not make more than 2 sequential applications.</li> <li>Do not apply within 1 day of harvest.</li> <li>Do not apply more than 16 oz/A per season.</li> </ul>
White Mold ( <i>Sclerotinia sclerotiorum</i> )	4.0 (0.125 lb ai/A)		Make first application prior to infection, generally at row closure and/ or first bloom. Make second application 14 days later if conditions favor white mold development.		

24

**CROP SPECIFIC DIRECTIONS, RESTRICTIONS AND LIMITATIONS – STONE FRUIT**

Cherry (Sweet and Tart)					
Diseases	Application Rates		When to Apply	Special Use Instructions	Use Restrictions
	oz/A	GPA			
Brown Rot Blossom Blight ( <i>Monilinia</i> spp.) Green Fruit Rot/ Jacket Rot ( <i>Botrytis cinerea</i> ) (suppression)	2.5 to 3.5 (0.078 to 0.11 lb ai/A)	100 to 400  Aerial: Minimum 20 GPA	Begin applications at green tip. If conditions are favorable for disease development, make additional applications at full bloom and at petal fall.	Use <i>Quash</i> Fungicide as part of an Integrated Pest Management (IPM) program. Apply as a foliar spray in sufficient water to obtain thorough coverage of blossoms, foliage and/ or fruit.	<ul style="list-style-type: none"> <li>Do not apply within 14 days of harvest.</li> <li>Do not make more than 2 applications after petal fall.</li> <li>Do not make more than 3 applications per season.</li> <li>Do not apply more than 12 oz/A per season.</li> </ul>
Cherry Leaf Spot ( <i>Blumeriella jaapii</i> ) – excluding pathogen types resistant to Group 3 fungicides	4.0 (0.125 lb ai/A)				
Fruit Brown Rot ( <i>Monilinia</i> spp.)	2.5 to 4.0 (0.078 to 0.125 lb ai/A)		Following brown rot/ blossom blight schedule, make additional applications on a 10 to 14 day interval until terminal growth ceases. Application can be made after harvest.	Under high disease pressure use the higher rate and shorter spray intervals.	
Powdery Mildew ( <i>Podosphaera clandestina</i> )	3.5 to 4.0 (0.11 to 0.125 lb ai/A)				

25

(continued)

3.5"

3.5"

7"

3.5"

## CROP SPECIFIC DIRECTIONS, RESTRICTIONS AND LIMITATIONS – STONE FRUIT (continued)

Apricot, Nectarine and Peach					
Diseases	Application Rates		When to Apply	Special Use Instructions	Use Restrictions
	oz/A	GPA			
Brown Rot Blossom Blight ( <i>Monilinia</i> spp.) Green Fruit Rot/ Jacket Rot ( <i>Botrytis cinerea</i> ) (suppression) Scab ( <i>Cladosporium carpophilum</i> ) Shot Hole ( <i>Wilsonomyces carpophilus</i> )	2.5 to 3.5 (0.078 to 0.11 lb ai/A)	100 to 400  Aerial: Minimum 20 GPA	Begin applications at early pink bud stage before infection occurs. If conditions are favorable for disease development, make additional applications at full bloom and at petal fall.	Use <i>Quash</i> Fungicide as part of an Integrated Pest Management (IPM) program.  Apply as a foliar spray in sufficient water to obtain thorough coverage of blossoms, foliage and/or fruit.	<ul style="list-style-type: none"> <li>Do not apply within 14 days of harvest.</li> <li>Do not make more than 2 applications after petal fall.</li> <li>Do not make more than 3 applications per season.</li> <li>Do not apply more than 12 oz/A per season.</li> </ul>

(continued)

26

## CROP SPECIFIC DIRECTIONS, RESTRICTIONS AND LIMITATIONS – STONE FRUIT (continued)

Apricot, Nectarine and Peach (continued)					
Diseases	Application Rates		When to Apply	Special Use Instructions	Use Restrictions
	oz/A	GPA			
Fruit Brown Rot ( <i>Monilinia</i> spp.)	2.5 to 4.0 (0.078 to 0.125 lb ai/A)	100 to 400  Aerial: Minimum 20 GPA	Make application 14 to 21 days prior to harvest.	Use <i>Quash</i> Fungicide as part of an Integrated Pest Management (IPM) program.  Apply as a foliar spray in sufficient water to obtain thorough coverage of blossoms, foliage and/or fruit.  Under high disease pressure use the higher rate and shorter spray intervals.	<ul style="list-style-type: none"> <li>Do not apply within 14 days of harvest.</li> <li>Do not make more than 2 applications after petal fall.</li> <li>Do not make more than 3 applications per season.</li> <li>Do not apply more than 12 oz/A per season.</li> </ul>
Powdery Mildew ( <i>Podosphaera</i> spp.)	3.5 to 4.0 (0.11 to 0.125 lb ai/A)		Following brown rot/blossom blight schedule, make additional applications on a 10 to 14 day interval until terminal growth ceases.  Begin applications prior to disease development and continue at a 7 to 14 day interval.		
Rust ( <i>Tranzschelia discolor</i> )	3.5 (0.11 lb ai/A)		Begin application when bud tissue is susceptible to disease development (i.e., pink, white or red bud). If conditions are favorable for disease development, make a second application at full bloom or at petal fall.		

(continued)

27

3.5"

7"

3.5"

3.5"

**CROP SPECIFIC DIRECTIONS, RESTRICTIONS AND LIMITATIONS – STONE FRUIT (continued)**

Plum, Plumcot and Prune (Fresh)					
Diseases	Application Rates		When to Apply	Special Use Instructions	Use Restrictions
	oz/A	GPA			
Brown Rot Blossom Blight ( <i>Monilinia</i> spp.)	2.5 to 3.5 (0.078 to 0.11 lb ai/A)	100 to 400  Aerial: Minimum 20 GPA	Begin applications at green tip. If conditions are favorable for disease development, make additional applications at full bloom and at petal fall.  Following brown rot/blossom blight schedule, make additional applications on a 10 to 14 day interval until terminal growth ceases.	Use <i>Quash</i> Fungicide as part of an Integrated Pest Management (IPM) program.  Apply as a foliar spray in sufficient water to obtain thorough coverage of blossoms, foliage and/or fruit.  Under high disease pressure use the higher rate and shorter spray intervals.	<ul style="list-style-type: none"> <li>Do not apply within 14 days of harvest.</li> <li>Do not make more than 2 applications after petal fall.</li> <li>Do not make more than 3 applications per season.</li> <li>Do not apply more than 12 oz/A per season.</li> <li>Do not apply <i>Quash</i> Fungicide to "Stanley" type plums.</li> </ul>
Rust ( <i>Tranzschelia discolor</i> )	3.5 (0.11 lb ai/A)				
Powdery Mildew ( <i>Podosphaera</i> spp.)	3.5 to 4.0 (0.11 to 0.125 lb ai/A)				

28

**CROP SPECIFIC DIRECTIONS, RESTRICTIONS AND LIMITATIONS – TREE NUTS**

Almond; Beech Nut; Brazil Nut; Butternut; Cashew; Chestnut; Chinquapin; Hickory Nut; Macadamia Nut; Walnut					
Diseases	Application Rates		When to Apply	Special Use Instructions	Use Restrictions
	oz/A	GPA			
Alternaria Leaf Spot ( <i>Alternaria</i> spp.)	2.5 to 3.5 (0.078 to 0.11 lb ai/A)	100 to 400  Aerial: Minimum 20 GPA	Begin applications prior to disease development and continue at a 7 to 14 day interval throughout the season.  Apply as a foliar spray in sufficient water to obtain thorough coverage of blossoms, foliage and/or fruit.  Under high disease pressure use the higher rate and shorter spray intervals.	Use <i>Quash</i> Fungicide as part of an Integrated Pest Management (IPM) program.	<ul style="list-style-type: none"> <li>Do not apply within 25 days of harvest.</li> <li>Do not make more than 2 applications after petal fall.</li> <li>Do not make more than 4 applications per season.</li> <li>Do not apply more than 14 oz/A per season.</li> </ul>
Brown Rot Blossom Blight ( <i>Monilinia</i> spp.)					
Scab ( <i>Cladosporium carpophilum</i> )					
Anthraco-nose ( <i>Marssonina juglandis</i> )	3.5 (0.11 lb ai/A)				
Botryosphaeria Blight ( <i>Botryosphaeria</i> spp.)					
Powdery Mildew ( <i>Podosphaera</i> spp.)					
Rust ( <i>Tranzschelia discolor</i> )	2.5 (0.078 lb ai/A)				
Shot Hole ( <i>Wilsonomyces carpophilus</i> )	2.5 to 3.5 (0.078 to 0.11 lb ai/A)				
Hull Rot ( <i>Monilinia</i> spp. <i>Rhizopus</i> spp.) (suppression)					

29

(continued)

3.5"

3.5"

3.5"

7"

**CROP SPECIFIC DIRECTIONS, RESTRICTIONS AND LIMITATIONS – TREE NUTS (continued)**

Filbert					
Diseases	Application Rates		When to Apply	Special Use Instructions	Use Restrictions
	oz/A	GPA			
Eastern Filbert Blight ( <i>Anisogramma anomala</i> )	3.5 (0.11 lb ai/A)	100 to 400  Aerial: Minimum 20 GPA	Begin applications starting at bud swell to bud break and continue at 14 day intervals.  <i>Quash</i> Fungicide is most effective when applied and allowed to dry before a rainfall.	Use <i>Quash</i> Fungicide as part of an Integrated Pest Management (IPM) program.  Apply as a foliar spray in sufficient water to obtain thorough coverage of all branches. Alternate row applications are not recommended.  Under conditions which favor disease development, shorten spray interval to 10 days.	<ul style="list-style-type: none"> <li>Do not apply within 25 days of harvest.</li> <li>Do not make more than 2 sequential <i>Quash</i> Fungicide applications before switching to a non-Group 3 fungicide for resistance management.</li> <li>Do not make more than 4 applications per season.</li> <li>Do not apply more than 14 oz/A per season.</li> </ul>

(continued)

30

**CROP SPECIFIC DIRECTIONS, RESTRICTIONS AND LIMITATIONS – TREE NUTS (continued)**

Pecan					
Diseases	Application Rates		When to Apply	Special Use Instructions	Use Restrictions
	oz/A	GPA			
Scab ( <i>Cladosporium caryigenum</i> )	2.5 to 3.5 (0.078 to 0.11 lb ai/A)	100 to 400  Aerial: Minimum 20 GPA	Begin applications when leaves reach one-half mature size.  Continue to make scab applications if scab model predicts need.	Use <i>Quash</i> Fungicide as part of an Integrated Pest Management (IPM) program.  Apply as a foliar spray in sufficient water to obtain thorough coverage of blossoms, foliage and/or fruit.  Under high disease pressure use the higher rate and shorter spray intervals.	<ul style="list-style-type: none"> <li>Do not apply within 25 days of harvest.</li> <li>Do not make more than 2 sequential <i>Quash</i> Fungicide applications before switching to a non-Group 3 fungicide for resistance management.</li> <li>Do not make more than 4 applications per season.</li> <li>Do not apply more than 14 oz/A per season.</li> </ul>

(continued)

31

3.5"

7"

3.5"

3.5"



## CROP SPECIFIC DIRECTIONS, RESTRICTIONS AND LIMITATIONS – TREE NUTS (continued)

Pistachio					
Diseases	Application Rates		When to Apply	Special Use Instructions	Use Restrictions
	oz/A	GPA			
Panicle and Shoot Blight ( <i>Botryosphaeria dothidea</i> ) Alternaria Late Blight ( <i>Alternaria</i> spp.) Botrytis Blossom and Shoot Blight ( <i>Botrytis cinerea</i> ) Septoria Leaf Spot ( <i>Septoria pistaciarum</i> )	4.0 (0.125 lb ai/A)	100 to 400  Aerial: Minimum 20 GPA	Apply prior to onset of disease development and continue on 2 to 3 week interval.	Use <i>Quash</i> Fungicide as part of an Integrated Pest Management (IPM) program.  Apply as a foliar spray in sufficient water to obtain thorough coverage of blossoms, foliage and/or fruit.  Under high disease pressure use the shorter spray interval.	<ul style="list-style-type: none"> <li>Do not apply within 25 days of harvest.</li> <li>Do not make more than 2 sequential <i>Quash</i> Fungicide applications before switching to a non-Group 3 fungicide for resistance management.</li> <li>Do not make more than 4 applications per season.</li> <li>Do not apply more than 16 oz/A per season.</li> </ul>

32

## STORAGE AND DISPOSAL

Do not contaminate water, food or feed by storage, disposal or cleaning of equipment.

**PESTICIDE STORAGE**

Store in a cool dry place.

Keep pesticide in original container.

Keep container closed when not in use.

Do not put dilute into food or drink containers.

Do not store in or around the home.

For help with any spill, leak, fire or exposure involving this material, call day or night 800-892-0099.

**PESTICIDE DISPOSAL**

Waste resulting from the use of this product may be disposed of on site or at an approved waste disposal facility.

**CONTAINER HANDLING**

Nonrefillable container. Do not reuse or refill this container. Offer for recycling, if available. Clean container promptly after emptying. Triple rinse as follows: Empty the remaining contents into application equipment or a mix tank and drain for 10 seconds after the flow begins to drip. Fill the container 1/4 full with water and recap. Shake for 10 seconds. Pour rinsate into application equipment or a mix tank or store rinsate for later use or disposal. Drain for 10 seconds after the flow begins to drip. Repeat this procedure two more times.

©2015 Valent U.S.A. Corporation

33

3.5"

3.5"

7"

3.5"

BLACK

3.5"

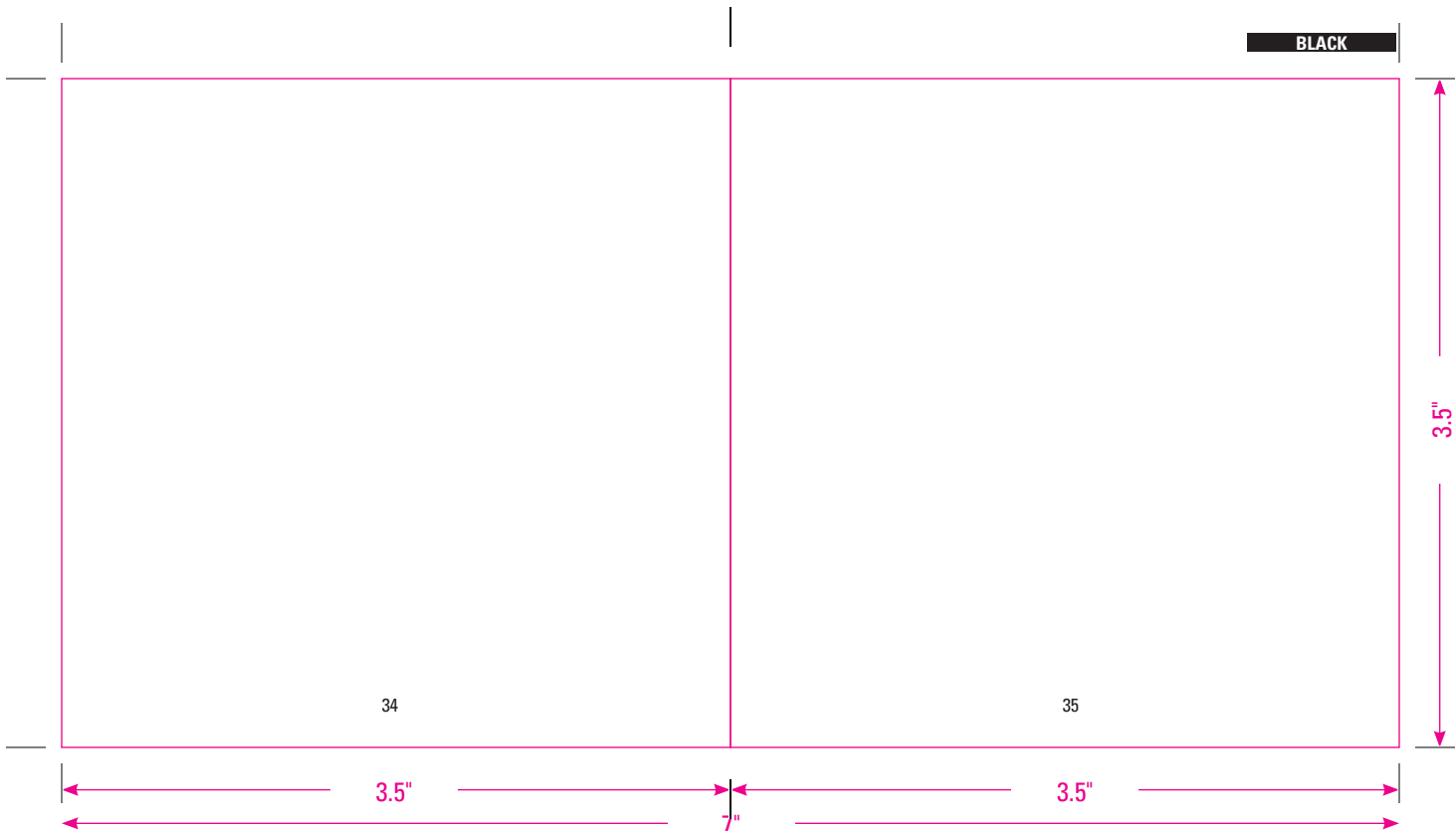
34

35

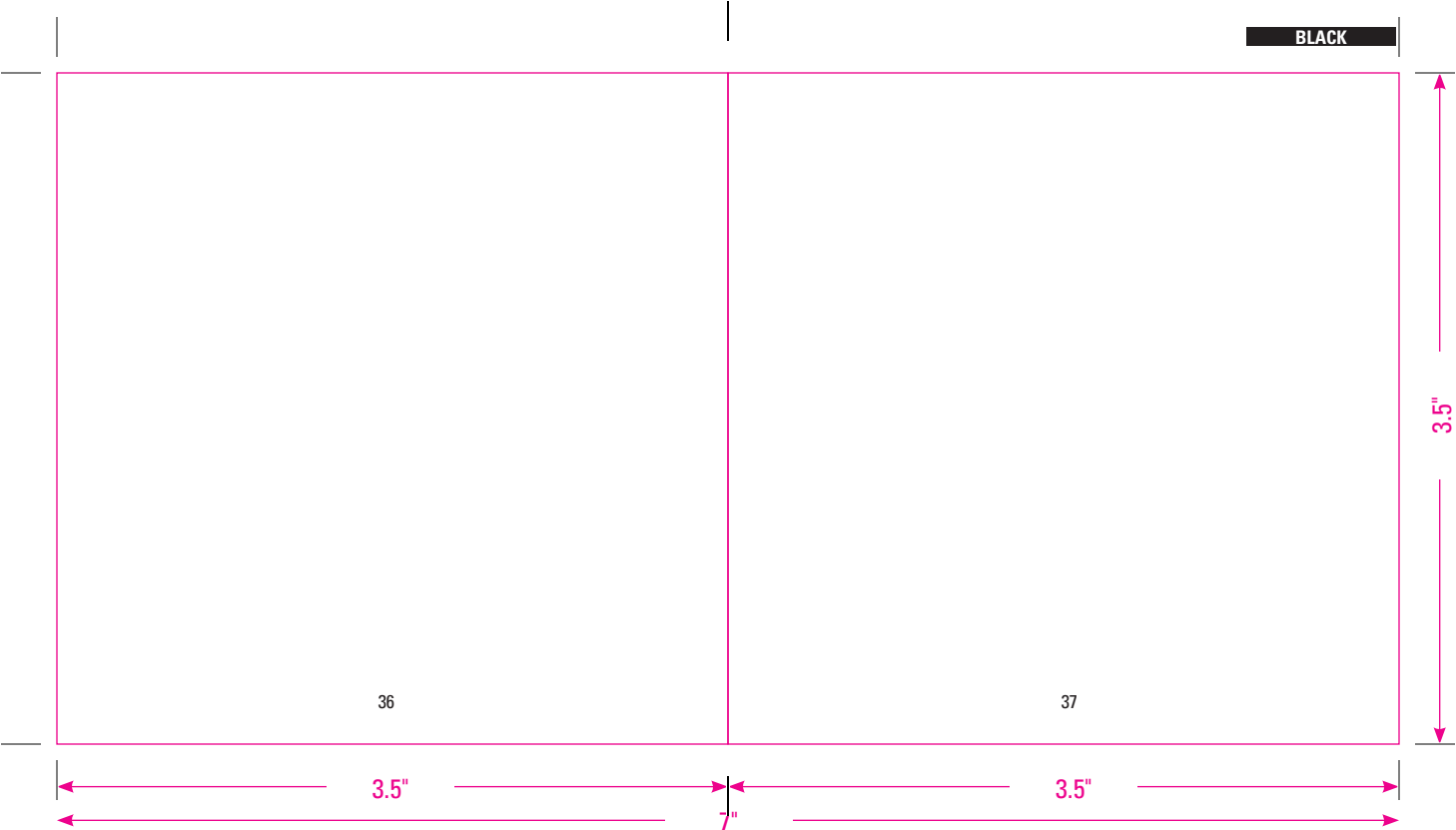
3.5"

3.5"

7"



BLACK



BLACK

3.5"

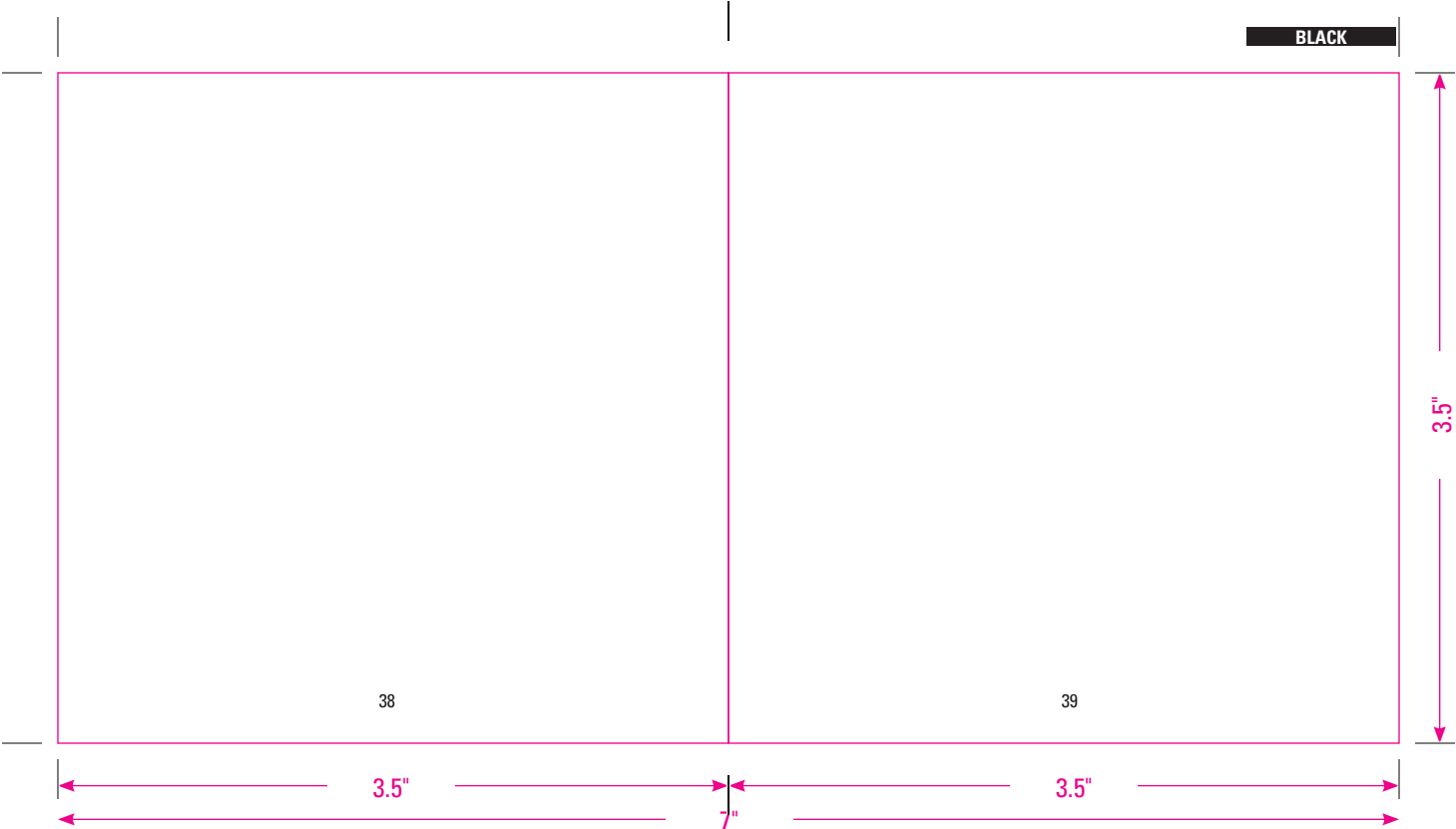
38

39

3.5"

3.5"

7"



*Quash* is a registered trademark of Valent U.S.A. Corporation  
Folicur is a registered trademark of Bayer  
Headline is a registered trademark of BASF  
Nova is a registered trademark of Dow AgroSciences LLC  
Procure is a registered trademark of Chemtura Corporation  
Tilt is a registered trademark of Syngenta

Manufactured for:

**Valent U.S.A. Corporation**

P.O. Box 8025

Walnut Creek CA 94596-8025

Made in U.S.A.

Form 1711-F

059639-00147.20130614.MET50WDG.AMEND.FINAL

SAL20130812

EPA Reg. No. 59639-147

EPA Est. No. 67545-AZ-01

40

3.5"

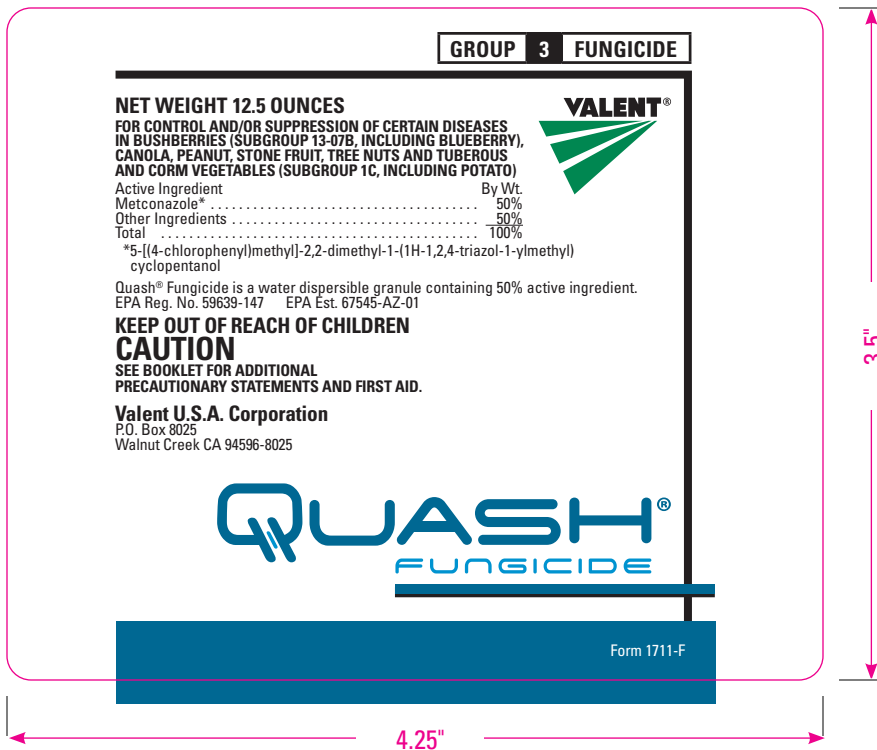
7"

**FORM:** 1711-F  
**NAME:** Quash Fungicide  
**KIND:** Composite Book

**PRODUCT SIZE:** 12.5 ozs  
**LABEL SIZE:** 3.5"(w) x 3.5"(h) - book closed  
7"(w) x 3.5"(h) - book open  
4.25"(w) x 3.5"(h) - base  
**Spec:** 11696: .375

<b>BLACK</b>
<b>PMS 308 (blue)</b>
<b>PMS 348 (green)</b>
<b>Process Blue</b>

## Base



**GROUP 3 FUNGICIDE**

### NET WEIGHT 12.5 OUNCES

**FOR CONTROL AND/OR SUPPRESSION OF CERTAIN DISEASES IN BUSHBERRIES (SUBGROUP 13-07B, INCLUDING BLUEBERRY), CANOLA, PEANUT, STONE FRUIT, TREE NUTS AND TUBEROUS AND CORM VEGETABLES (SUBGROUP 1C, INCLUDING POTATO)**



Active Ingredient	By Wt.
Metconazole*	50%
Other Ingredients	50%
Total	100%

\*5-[[4-chlorophenyl)methyl]-2,2-dimethyl-1-(1H-1,2,4-triazol-1-ylmethyl) cyclopentanol

Quash® Fungicide is a water dispersible granule containing 50% active ingredient.  
EPA Reg. No. 59639-147 EPA Est. 67545-AZ-01

**KEEP OUT OF REACH OF CHILDREN**

### CAUTION

SEE BOOKLET FOR ADDITIONAL PRECAUTIONARY STATEMENTS AND FIRST AID.

**Valent U.S.A. Corporation**  
P.O. Box 8025  
Walnut Creek CA 94596-8025



Form 1711-F

FORM: 1761-E  
NAME: Quash Fungicide  
KIND: Composite Booklet  
SPEC: 11508:375  
DATE: 3.4.15

PRODUCT SIZE: 5 LB  
LABEL SIZE: 5-1/2"(w) x 6-1/2"(h) - book closed  
11"(w) x 6-1/2"(h) - book open  
6-1/4"(w) x 6-1/2"(h) - base  
UCC: (01) 0 06 53204 08697 6

PMS 308  
PMS 348  
Process Blue  
Process Black

Front

GROUP 3 FUNGICIDE

## NET WEIGHT 5 POUNDS

FOR CONTROL AND/OR SUPPRESSION OF CERTAIN DISEASES IN BUSHBERRIES (SUBGROUP 13-07B, INCLUDING BLUEBERRY), CANOLA, PEANUT, STONE FRUIT, TREE NUTS AND TUBEROUS AND CORM VEGETABLES (SUBGROUP 1C, INCLUDING POTATO)



Active Ingredient	By Wt.
Metconazole*	50%
Other Ingredients	50%
Total	100%

\*5-[(4-chlorophenyl)methyl]-2,2-dimethyl-1-(1H-1,2,4-triazol-1-ylmethyl)cyclopentanol

Quash® Fungicide is a water dispersible granule containing 50% active ingredient.

EPA Reg. No. 59639-147 EPA Est. 67545-AZ-01

KEEP OUT OF REACH OF CHILDREN

## CAUTION

SEE NEXT PAGE FOR ADDITIONAL PRECAUTIONARY STATEMENTS AND FIRST AID.

# QUASH®

FUNGICIDE



Form 1761-E

5-1/2"

6-1/2"

**FIRST AID**

**If swallowed:** Call a poison control center or doctor immediately for treatment advice. Have person sip a glass of water if able to swallow. Do not induce vomiting unless told to do so by the poison control center or doctor. Do not give anything by mouth to an unconscious person.

**If in eyes:** Hold eye open and rinse slowly and gently with water for 15-20 minutes. Remove contact lenses, if present, after the first 5 minutes, then continue rinsing eye. Call a poison control center or doctor for treatment advice.

**HOT LINE NUMBER**

Have the product container or label with you when calling a poison control center or doctor, or going for treatment. You may also contact **800-892-0099** for emergency medical treatment information.

**PRECAUTIONARY STATEMENTS**  
**HAZARDS TO HUMANS & DOMESTIC ANIMALS**  
**CAUTION**

Harmful if swallowed. Causes moderate eye irritation. Avoid contact with eyes. Wash thoroughly with soap and water after handling and before eating, drinking, chewing gum or using tobacco.

**PERSONAL PROTECTIVE EQUIPMENT (PPE):**  
**Applicators and other handlers must wear:** long-sleeved shirt and long pants, chemical-resistant gloves made of any waterproof material, socks and shoes.

Follow the manufacturer's instructions for cleaning/maintaining PPE. If no such instructions for washables exist, use detergent and hot water. Keep and wash PPE separately from other laundry.

**USER SAFETY RECOMMENDATIONS**

Users should:

- Wash hands before eating, drinking, chewing gum, using tobacco or using the toilet.
- Remove clothing immediately if pesticide gets inside. Then wash thoroughly and put on clean clothing.
- Remove PPE immediately after handling this product. Wash the outside of gloves before removing. As soon as possible, wash thoroughly and change into clean clothing.

**ENVIRONMENTAL HAZARDS**

This pesticide is toxic to birds, mammals, fish, and aquatic invertebrates. Do not apply directly to water, or to areas where surface water is present or to intertidal areas below the mean high water mark. Do not contaminate water when disposing of equipment washwater or rinsate.

This chemical has properties and characteristics associated with chemicals detected in ground water. The use of this chemical in areas where soils are permeable, particularly where the water table is shallow, may result in ground-water contamination.

*Quash* Fungicide may impact surface water quality through runoff of rain water. This product has a high potential for runoff for several months or more after application. Poorly draining soils and soils with shallow water tables are more prone to produce runoff that contains this product. A level, well maintained vegetative buffer strip between areas to which this product is applied and

surface water features such as ponds, streams, and springs will reduce the potential for contamination of water from rainfall-runoff. Runoff of this product will be reduced by avoiding applications when rainfall is forecasted to occur within 48 hours.

**DIRECTIONS FOR USE**

It is a violation of Federal law to use this product in a manner inconsistent with its labeling.

Do not apply this product in a way that will contact workers or other persons, either directly or through drift. Only protected handlers may be in the area during application. For any requirements specific to your State or Tribe, consult the agency responsible for pesticide regulation.

**AGRICULTURAL USE REQUIREMENTS**

Use this product only in accordance with its labeling and with the Worker Protection Standard, 40 CFR part 170. This Standard contains requirements for the protection of agricultural workers on farms, forests, nurseries and greenhouses and handlers of agricultural pesticides. It contains requirements for training, decontamination, notification and emergency assistance. It also contains specific instructions and exceptions pertaining to the statements on this label about personal protective equipment (PPE) and restricted entry interval. The requirements in this box only apply to uses of this product that are covered by the Worker Protection Standard.

Do not enter or allow worker entry into treated areas during the restricted entry interval (REI) of 12 hours.

PPE required for early entry to treated areas that is permitted under the Worker Protection Standard and that involves contact with anything that has been treated, such as plants, soil or water, is coveralls, chemical-resistant gloves made of any waterproof material, socks and shoes.

**DISCLAIMER, RISKS OF USING THIS PRODUCT, LIMITED WARRANTY AND LIMITATION OF LIABILITY**

**IMPORTANT: Read the entire Label including this Disclaimer, Risks of Using this Product, Limited Warranty, and Limitation of Liability before using this product. If the terms are not acceptable THEN DO NOT USE THE PRODUCT; rather, return the unopened product within 15 days of purchase for a refund of the purchase price.**

**RISKS OF USING THIS PRODUCT**

The Buyer and User (referred to collectively herein as "Buyer") of this product should be aware that there are inherent unintended risks associated with the use of this product which are impossible to eliminate. These risks include, but are not limited to, injury to plants and crops to which this product is applied, lack of control of the target pests or weeds, resistance of the target pest or weeds to this product. Such risks of crop injury, non-performance, resistance or other unintended consequences are unavoidable and may result because of such factors as weather, soil conditions, disease, moisture conditions, irrigation practices, condition of the crop at the time of application, presence of other materials either applied in the tank mix with this product or prior to application of this product, cultural practices or the manner of use or application, (or a combination of such factors) all of which are factors beyond the control of Valent. The Buyer should be aware that these

(continued)

(continued)

inherent unintended risks may reduce the harvested yield of the crop in all or a portion of the treated acreage, or otherwise affect the crop such that additional care, treatment and expense are required to take the crop to harvest. If the Buyer chooses not to accept these risks, THEN DO NOT APPLY PRODUCT. By applying this product Buyer acknowledges and accepts these inherent unintended risks AND AGREES THAT TO THE EXTENT CONSISTENT WITH APPLICABLE LAW, RISKS ASSOCIATED WITH THE APPLICATION AND USE ARE ASSUMED BY THE BUYER.

To the extent consistent with applicable law, Valent shall not be responsible for losses or damages (including, but not limited to, loss of yield, increased expenses of farming the crop or such incidental, consequential or special damages that may be claimed) resulting from use of this product in any manner not set forth on the label. To the extent consistent with applicable law, Buyer assumes all risks associated with the use of this product in any manner or under conditions not specifically directed or approved on the label.

**LIMITED WARRANTY**

Valent warrants only that this product conforms to the chemical description on the label and is reasonably fit for the purposes stated in the label, under average use conditions, when used strictly in accordance with the label and subject to the Risks of Using This Product as described above. **TO THE EXTENT CONSISTENT WITH APPLICABLE LAW, EXCEPT AS SET FORTH ABOVE, VALENT MAKES NO OTHER WARRANTIES, EITHER EXPRESSED OR IMPLIED.** No agent or representative of Valent or Seller is authorized to make or create any other express or implied warranty.

**LIMITATION OF LIABILITY**

**To the extent consistent with applicable law, Valent or Seller shall not be liable for any incidental, consequential, indirect or special damages resulting from the use or handling of this product. The limitation includes, but is not limited to, loss of yield on all or any portion of the treated acreage, increased care, treatment or other expenses required to take the crop to harvest, increased finance charges or altered finance ratings, emotional or mental distress and/or exemplary damages. TO THE FULLEST EXTENT ALLOWED BY LAW, THE EXCLUSIVE REMEDY OF THE BUYER, AND THE EXCLUSIVE MAXIMUM LIABILITY OF VALENT OR SELLER FOR ANY AND ALL CLAIMS, LOSSES, INJURIES OR DAMAGES (INCLUDING CLAIMS BASED ON BREACH OF WARRANTY, CONTRACT, NEGLIGENCE, TORT, STRICT LIABILITY OR OTHERWISE) RESULTING FROM THE USE OR HANDLING OF THIS PRODUCT SHALL BE THE RETURN OF THE PURCHASE PRICE OF THIS PRODUCT OR, AT THE ELECTION OF VALENT OR SELLER, THE REPLACEMENT OF THE PRODUCT.**

**PROMPT NOTICE OF CLAIM**

To the extent consistent with applicable law, Valent must be provided notice as soon as Buyer has reason to believe it may have a claim, but in no event later than twenty-one days from date of planting, or twenty-one days from the date of application, whichever is latter, so that an immediate inspection of the affected property and growing crops can be made.

To the extent consistent with applicable law, if Buyer does not notify Valent of any claims, in such period, it shall be barred from obtaining any remedy.

(continued)

(continued)

**NO AMENDMENTS**

Valent and Seller offer this product, and Buyer accepts it, subject to the foregoing **Disclaimer, Risks of Using This Product, Limited Warranty and Limitation of Liability**, which may not be modified by any oral or written agreement.

**TABLE OF CONTENTS**

Product Information .....	3
Mode of Action .....	4
Resistance Management .....	4
Rainfastness .....	4
Jar Test to Determine Compatibility of	
Adjuvants and <i>Quash</i> Fungicide .....	4
Sprayer Preparation .....	4
Application Equipment .....	4
Sprayer Cleanup .....	4
Mixing Instructions .....	4-5
Carrier Volume .....	5
Chemigation .....	5-6
Aerial Application .....	6
Spray Drift Management .....	6
Rotational Restrictions .....	6
Restrictions and Limitations – All Crops .....	6-7
Crop Specific Directions, Restrictions and Limitations –	
Bushberries Subgroup 13-07B .....	8
Crop Specific Directions, Restrictions and Limitations – Canola .....	8
Crop Specific Directions, Restrictions and Limitations – Peanut .....	9
Crop Specific Recommendation, Restrictions and Limitations – Tuberous and Corm	
Vegetables (Subgroup 1C, including potato) .....	9
Crop Specific Directions, Restrictions and Limitations – Stone Fruit .....	10-11
Crop Specific Directions, Restrictions and Limitations – Tree Nuts .....	12-13
Storage and Disposal .....	14

**PRODUCT INFORMATION**

**READ ENTIRE LABEL. USE STRICTLY IN ACCORDANCE WITH PRECAUTIONARY STATEMENTS AND DIRECTIONS, AND WITH APPLICABLE STATE AND FEDERAL REGULATIONS.**

*Quash* Fungicide is formulated as a 50% water dispersible granule (WDG). The active ingredient in *Quash* Fungicide is metconazole, a broad-spectrum triazole fungicide that works by inhibiting demethylation and other processes in sterol biosynthesis. *Quash* Fungicide is systemic and is quickly absorbed into plant tissue and can move up, but not down in the plant. Metconazole has no effect on fungal spore germination, but interferes with other early developmental processes in the life cycle of certain fungi. Although *Quash* Fungicide cannot prevent spore germination, it prevents spore formation and inhibits mycelial growth.

*Quash* Fungicide can be applied pre- or post-infection, but is most effective when applied prior to infection. Optimal disease control is achieved when *Quash* Fungicide is applied in a regularly scheduled spray program used in combination and/or rotation with other effective fungicides that have different modes of action (i.e., non-Group 3 fungicides). *Quash* Fungicide is a sterol biosynthesis inhibitor; avoid rotating with other sterol biosynthesis inhibitors, such as Folicur®, Nova®, Procure® or Tilt®.



#### MODE OF ACTION

The active ingredient in *Quash* Fungicide, metconazole, belongs to the sterol biosynthesis inhibitor group of fungicides as classified by the U.S. EPA and Canada PMRA as a target site of action Group 3 fungicide.

#### RESISTANCE MANAGEMENT

*Quash* Fungicide contains metconazole, a Group 3 fungicide (sterol biosynthesis inhibitors). Metconazole is effective against pathogens resistant to fungicides with modes of action different from those of target site Group 3 fungicides, (e.g., dicarboximides, strobilurins, benzimidazoles or phenylamides). Resistant isolates may eventually dominate the fungal population if used repeatedly at the same site or in successive years as the primary method of control for the targeted pathogen species. Selection for resistance may be particularly rapid if resistance to Group 3 fungicides is already present in the pathogen population. This may result in reduced disease control by *Quash* Fungicide or other Group 3 fungicides. Group 3 resistance may result in reduced disease control by *Quash* Fungicide or other Group 3 fungicides. To maintain the performance of *Quash* Fungicide in the field, do not exceed the total number of sequential applications or the total number of seasonal applications of *Quash* Fungicide as stated in "CROP SPECIFIC DIRECTIONS, RESTRICTIONS, AND LIMITATIONS." Adhere to the label instructions regarding the consecutive uses of *Quash* Fungicide or other target site of action Group 3 fungicides on the same pathogens. The following recommendations may be considered to further delay the development of Group 3 fungicide resistance:

1. **Tank Mixtures:** If *Quash* Fungicide is used in tank mixtures with fungicides from different target site of action groups that are registered and/or permitted for the same use and that are effective against the pathogens of concern, Valent recommends using at least the minimum labeled rates of each fungicide in the tank mix. Do not tank mix with any product which contains a prohibition on tank mixing. Follow the more restrictive labeling of any tank mix partner.
2. **Integrated Pest Management (IPM):** *Quash* Fungicide should be integrated into an overall disease and pest management program. Cultural practices known to reduce disease development should be followed. Consult your local extension specialist, certified crop advisor and/or Valent representative for additional IPM strategies established for your area. *Quash* Fungicide may be used in advisory (disease forecasting) programs, which recommend application timing based on environmental factors favorable for disease development.
3. **Monitoring:** Monitor efficacy of all fungicides used in the disease management program against the targeted pathogen and record other factors that may influence fungicide performance and/or disease development.
4. **Reporting:** If a Group 3 target site fungicide appears to be less or no longer effective against a pathogen that it previously controlled or suppressed, contact a Valent representative, local extension specialist and/or certified crop advisor to assist in determining the cause of reduced performance.

#### RAINFASTNESS

*Quash* Fungicide is rainfast 2 hours after application. Applications should not be made if rain is expected within 2 hours of application or disease control may be reduced.

#### JAR TEST TO DETERMINE COMPATIBILITY OF ADJUVANTS AND QUASH FUNGICIDE

A jar test should be performed before mixing commercial quantities of *Quash* Fungicide, when using this product for the first time, when using new adjuvants, when using new tank mixes, or when using a new water source.

1. Add 1 pt of the water to a quart jar. The water should be from the same source and temperature as that to be used in the spray tank mixing operation.
2. Add 2 g of *Quash* Fungicide to the quart jar, gently mix until product goes into suspension.
3. Add 1 ml of new adjuvant and/or appropriate amount of new tank mix partner and gently mix.
4. Place cap on jar, invert 10 times, let stand for 15 minutes, evaluate.
5. An acceptable tank mix combination will have a smooth, uniform appearance. If any of the following conditions are observed, the choice of spray mix components should be questioned:
  - a) Layer of oil or globules on the mixture's surface.
  - b) Flocculation: formation of fluffy, cloudlike aggregates or masses in suspension or as a layer on the bottom of the jar.
  - c) Clabbering: thickening texture (coagulated) like gelatin or cottage cheese.

#### SPRAYER PREPARATION

Before applying *Quash* Fungicide, start with clean, well maintained application equipment. The spray tank hoses and booms must be cleaned to ensure no residue from the previous spraying operations remain in the sprayer. The spray equipment must be cleaned according to the manufacturer's directions for the last product used before the equipment is used to apply *Quash* Fungicide. If two or more products were tank mixed prior to *Quash* Fungicide application, the most restrictive cleanup procedure must be followed.

#### APPLICATION EQUIPMENT

Application equipment must be clean and in good repair. Check nozzles frequently for accuracy.

#### SPRAYER CLEANUP

Clean sprayer equipment each day following *Quash* Fungicide application. After application is complete, use the following steps to clean spray equipment:

1. Completely drain the spray tank, rinse the sprayer thoroughly, including the inside and outside of the tank and all in-line screens.
2. Fill the spray tank with clean water and flush all hoses, booms, screens and nozzles.
3. Drain tank completely.
4. Remove all nozzles and screens and rinse them in clean water.

#### MIXING INSTRUCTIONS

1. Fill clean spray tank 1/2 to 2/3 of desired level with clean water.
2. While agitating, slowly add the *Quash* Fungicide to the spray tank. Agitate to create a rippling or rolling action on the water surface.
3. If tank mixing *Quash* Fungicide with other labeled pesticides, add water soluble bags first, followed by dry formulations, flowables, emulsifiable concentrates and then solutions.
4. If tank mixing *Quash* Fungicide with other labeled pesticides, follow more restrictive limitations or cautions on labels of all products. Do not tank mix with any products which contain a prohibition on tank mixing.
5. Add any required adjuvants.

6. Fill spray tank to desired level with water. Continue agitation until all spray solution has been applied.
7. Mix only the amount of spray solution that can be applied the day of mixing. Apply *Quash* Fungicide within 24 hours of mixing.

#### CARRIER VOLUME

Apply *Quash* Fungicide in sufficient water to ensure thorough coverage of foliage, blossoms and fruit. Thorough coverage is required for optimal disease control. Follow individual "CROP SPECIFIC DIRECTIONS, RESTRICTIONS, AND LIMITATIONS" for appropriate spray volumes.

#### CHEMIGATION

##### Through Irrigation Systems

*Quash* Fungicide may be applied through irrigation systems alone or in combination with other products which are also registered for sprinkler application. Apply this product only through center pivot, lateral move, end tow, side (wheel) roll, traveler, big gun, solid set or hand move irrigation systems. Do not apply this product through any other type of irrigation system. Crop injury, lack of effectiveness, or illegal pesticide residues in the crop can result from non-uniform distribution of treated water. If you have questions about calibration, contact your State Extension Service specialist, equipment manufacturer or other experts. A person knowledgeable of the chemigation system and responsible for its operation, or under the supervision of the responsible person, shall shut the system down and make necessary adjustments should the need arise.

##### Using Water from Public Water Systems

• Do not apply *Quash* Fungicide through any irrigation system physically connected to a public water system.

Public water system means a system for the provision to the public of piped water for human consumption if such system has at least 15 service connections or regularly serves an average of at least 25 individuals daily at least 60 days per year. *Quash* Fungicide may be applied through irrigation systems which may be supplied by a public water system only if the water from the public water system is discharged into a reservoir tank prior to pesticide introduction. There shall be a complete physical break (air gap) between the outlet end of the fill pipe and to top or overflow rim of the reservoir tank of at least twice the inside diameter of the fill pipe. Before beginning chemigation, always make sure that the air gap exists and that there is no blockage of the overflow of the reservoir tank.

Any irrigation system using water supplied from a public water system must also meet the following requirements:

##### Operating Instructions for All Specified Types of Irrigation Systems

1. The system must be calibrated to uniformly apply the rates specified. If you have questions about calibration, contact your State Extension Service specialist, equipment manufacturer or other experts.
2. The system must contain a functional check valve, vacuum relief valve, and low pressure drain appropriately located on the irrigation pipeline to prevent water source contamination from backflow.
3. The pesticide injection pipeline must contain a functional, automatic, quick closing check valve to prevent the flow of fluid back toward the injection pump.
4. The pesticide injection pipeline must also contain a functional, normally closed, solenoid operated valve located on the intake

side of the injection pump and connected to the system interlock to prevent fluid from being withdrawn from the supply tank when the irrigation system is either automatically or manually shut down.

5. The system must contain functional interlocking controls to automatically shut off the pesticide injection pump when the water pump motor stops, or in cases where there is no water pump, when the water pressure decreases to the point where pesticide distribution is adversely affected.
6. The irrigation line or water pump must include a functional pressure switch which will stop the water pump motor when the water pressure decreases to the point where pesticide distribution is adversely affected.
7. Systems must use a metering pump, such as a positive displacement injection pump (e.g., diaphragm pump) effectively designed and constructed of materials that are compatible with pesticides and capable of being fitted with a system interlock.
8. Do not apply when wind speed favors drift beyond the area intended.

##### Calibration and Application Instructions

Apply *Quash* Fungicide under the schedule specified in the specific crop use directions, not according to the irrigation schedule, unless the events coincide. In general, set the equipment to apply the minimum amount of water per acre. Run the system at 85 to 90% of the manufacturer's maximum rated travel speed.

The following calibration and application techniques are provided for user reference, but do not constitute a warranty of fitness for application through sprinkler irrigation equipment. Check with state and local regulatory agencies for potential use restrictions before applying any agricultural chemical through sprinkler irrigation equipment.

##### Center Pivot Irrigation Equipment

1. Use only drive systems that provide uniform water distribution.
2. Do not use end guns when chemigating *Quash* Fungicide through center pivot systems because of non-uniform application.
3. Plug the first nozzle closest to the well head to protect the water source.
4. Determine the size of the area to be treated.
5. Determine the time required to apply 0.1 to 0.25 inches of water over the area to be treated when the system and injection equipment are operated at normal pressures as recommended by the equipment manufacturer. Run the system at 80 to 95% of the manufacturer's rated maximum travel speed.
6. Using water, determine the injection pump output when operated at normal line pressure.
7. Determine the amount of *Quash* Fungicide, and any tank mix partners, required to treat the area covered by the irrigation system.
8. Add the required amount of *Quash* Fungicide, and any tank mix partners, and sufficient water to meet the injection time requirements to the solution tanks. (See "Mixing Instructions" section of this label.)
9. Make sure the system is fully charged with water before starting injection of the *Quash* Fungicide solution. Time the injection to last at least as long as it takes to bring the system to full pressure.
10. Maintain constant agitation in the solution tank during the injection period.
11. Inject the specified amount of *Quash* Fungicide per acre continuously for one complete revolution of the system.

- Stop the injection equipment after treatment is complete. Continue to operate the system until the *Quash* Fungicide solution has cleared all of the sprinkler heads.
- Allow time for all lines to flush the pesticide through all nozzles before turning off irrigation water.

**Lateral Move, End Tow, Side (Wheel) Roll, Traveler, Big Gun, Solid Set or Hand Move Irrigation Equipment**

- Determine the acreage covered by the sprinklers.
- Fill injector solution tank with plain water and calibrate the flow rate of the system to deliver the contents of the tank over a 20 to 40 minute time interval.
- Calculate the amount of product required to treat the area covered by the irrigation system.
- Add the required amount of *Quash* Fungicide, and any other tank mix partners, into the same quantity of water used to calibrate the injection period. (See "Mixing Instructions" section of this label.)
- Operate the system at the same pressure and time interval established during the calibration.
- Inject specified amount of *Quash* Fungicide per acre for either a 20 to 40 minute period at the end of a regular irrigation set, or as a 20 to 40 minute injection as a separate application not associated with a regular irrigation to maximize retention of the insecticide by the foliage.
- Stop injection equipment after treatment is completed. Continue to operate the system until the *Quash* Fungicide solution has cleared the last sprinkler head. To ensure lines are flushed and free from remaining pesticides, a dye indicator may be injected into the lines to mark the end of the application period.

**AERIAL APPLICATION**

To minimize drift, apply the largest droplet size consistent with uniform coverage and satisfactory disease control. To obtain satisfactory application and avoid drift, the following directions must be observed:

Do not apply during low level inversion conditions, when winds are gusty or under other conditions that favor drift. Do not spray when wind velocity is less than 2 mph or more than 10 mph.

**Carrier Volume and Spray Pressure**

Do not exceed the nozzle manufacturer's recommended pressures. For many nozzle types, lower pressures produce larger droplets. When higher flow rates are needed, use higher flow rate nozzles instead of increasing pressure.

Use a minimum of 5 gals of water per acre or the minimum volume specified in the crop specific directions, restrictions and limitations. Higher gallonage applications generally afford more consistent disease control.

**For aerial application on orchards:** use a minimum of 20 gals of water per acre.

**Nozzle Selection and Orientation**

Formation of very small drops may be minimized by appropriate nozzle selection, by orienting nozzles away from the air stream as much as possible and by avoiding excessive spray pressure. Use nozzles that produce flat fan or cone spray patterns. Use non-drip type nozzles, such as diaphragm type nozzles, to avoid unwanted discharge of spray solution. The nozzles must be directed toward the rear of the aircraft, producing a spray discharge at an angle between 0 and 15° downward. Do not place nozzles on the outer 25% of the wings or rotors.

**Drift Control Additives**

Drift control additives may be used. For drift control, coarser sprays through appropriate nozzle and pressure selection is usually more effective. When a drift control additive is used, read and carefully observe the cautionary statements and all other information appearing on the additive label. Compatibility of all of the tank mix and nozzle types being used should be tested.

**SPRAY DRIFT MANAGEMENT**

Avoiding spray drift at the application site is the responsibility of the applicator. Do not apply this product when weather conditions favor spray drift from treated areas. The interaction of many equipment and weather related factors determine the potential for spray drift. The applicator is responsible for considering all of these factors when making decisions. Where states have more stringent regulations, they must be observed.

Do not apply this product when weather conditions favor spray drift from treated areas. When applying by air, observe drift management restrictions and precautions listed under "AERIAL APPLICATION."

**ROTATIONAL RESTRICTIONS**

- Immediate plant back is allowed for Barley, Corn, Cotton, Oat, Peanut, Rye, Soybean, Sugar Beet, Triticale, Wheat and those crops listed on the label.
- A 30-day plant back interval is required for Brassica Leafy Vegetables and Leafy Vegetables.
- Do not plant any crop, except Barley, Corn, Cotton, Oat, Peanut, Rye, Soybean, Sugar Beet, Triticale, Wheat, Brassica Leafy Vegetables, Leafy Vegetables and those crops listed on the label earlier than 120 days after applying *Quash* Fungicide.

**RESTRICTIONS AND LIMITATIONS – ALL CROPS**

- Maximum seasonal use rate: Do not apply more than the maximum rate per acre per season as listed in "CROP SPECIFIC DIRECTIONS, RESTRICTIONS AND LIMITATIONS."
- Maximum rate per application: Do not apply more than the maximum rate per acre per application as listed in "CROP SPECIFIC DIRECTIONS, RESTRICTIONS AND LIMITATIONS."
- Do not make more than the total number of applications of *Quash* Fungicide per season as listed in "CROP SPECIFIC DIRECTIONS, RESTRICTIONS AND LIMITATIONS."
- Preharvest Interval (PHI): See "CROP SPECIFIC DIRECTIONS, RESTRICTIONS AND LIMITATIONS."

Crops	Minimum Time from Application to Harvest (PHI) Days	Maximum Rate per Acre per Application (oz)	Maximum Number of Sequential Applications	Maximum Number of Applications per Season	Maximum Rate per Acre per Season (oz)	Livestock Grazing or Feeding Restriction
Bushberries (Subgroup 13-07B)	7	2.5 (0.078 lb ai/A)	2	3	7.5 (0.234 lb ai/A)	No
Canola	35	4.0 (0.125 lb ai/A)	1	1	4.0 (0.125 lb ai/A)	No
Peanut	14	4.0 (0.125 lb ai/A)	4	4	16 (0.500 lb ai/A)	Yes
Pistachio	25	4.0 (0.125 lb ai/A)	2	4	16 (0.500 lb ai/A)	No
Tuberous and Corm Vegetables (Subgroup 1C, including potato)	1	4.0 (0.125 lb ai/A)	2	4	16 (0.500 lb ai/A)	No
Stone Fruits: Apricot Cherry Nectarine Peach Plum Plumcot Prune (fresh)	14	4.0 (0.125 lb ai/A)	2	3	12 (0.375 lb ai/A)	No
Tree Nuts: Almond Beech Nut Brazil Nut Butternut Cashew Chestnut Chinquapin Filbert Hickory Nut Macadamia Nut Pecan Walnut	25	3.5 (0.11 lb ai/A)	2	4	14 (0.438 lb ai/A)	No

**CROP SPECIFIC DIRECTIONS, RESTRICTIONS AND LIMITATIONS – BUSHBERRIES (Subgroup 13-07B)**

Aronia Berry; Blueberry, Highbush; Blueberry, Lowbush; Buffalo Currant; Chilean Guava; Cranberry, Highbush; Currant, Black; Currant, Red; Elderberry; European Barberry; Gooseberry; Honeysuckle, (edible); Huckleberry; Jostaberry; Juneberry (Saskatoon Berry); Lingonberry; Native Currant; Salal; Sea Buckthorn; Cultivars, Varieties and/or hybrids of these					
Disease	Application Rates		When to Apply	Special Use Instructions	Use Restrictions
	oz/A	GPA			
Alternaria Leaf Spot and Fruit Rot ( <i>Alternaria tenuissima</i> ) Anthracnose Fruit Rot (Ripe Rot) ( <i>Colletotrichum</i> spp.) Botryosphaeria Stem Canker and Blight ( <i>Botryosphaeria</i> spp.) Botrytis Blight and Fruit Rot ( <i>Botrytis cinerea</i> ) Exobasidium Fruit and Leaf Spot ( <i>Exobasidium vaccinii</i> ) Leaf Rust ( <i>Pucciniastrum vaccinii</i> ) Mummy Berry ( <i>Monilinia vaccinii-corymbosi</i> ) Phomopsis Canker, Leaf Spot, Twig Blight and Fruit Rot ( <i>Phomopsis vaccinii</i> ) Powdery Mildew ( <i>Microsphaera vaccinii</i> ) Septoria Leaf Spot and Stem Canker ( <i>Septoria albopunctata</i> )	2.5 (0.078 lb ai/A)	Ground: Minimum 20 GPA Aerial: Minimum 10 GPA	Apply when conditions favor disease development and prior to infection. Continue applications on a 7 to 14-day interval.	Use <i>Quash</i> Fungicide as part of an Integrated Pest Management (IPM) program. Use a non-Group 3 fungicide, with activity on the target disease, in alternation with <i>Quash</i> Fungicide. Apply as a foliar spray in sufficient water to obtain thorough coverage of blossoms, foliage, and/or fruit.	<ul style="list-style-type: none"> <li>Do not apply within 7 days of harvest.</li> <li>Do not make more than 3 applications per season.</li> <li>Do not apply more than 7.5 oz/A per season.</li> <li>Do not make more than 2 sequential applications.</li> </ul>

**CROP SPECIFIC DIRECTIONS, RESTRICTIONS AND LIMITATIONS**

CANOLA					
Diseases	Application Rates		When to Apply	Special Use Instructions	Use Restrictions
	oz/A	GPA			
White Mold/ Sclerotinia Stem Rot ( <i>Sclerotinia sclerotiorum</i> )	2.0 to 4.0 (0.0625 to 0.125 lb ai/A)	10 to 20 Aerial: Minimum 5 GPA	Make application between 20% and 50% bloom.	Use <i>Quash</i> Fungicide as a part of an Integrated Pest Management (IPM) program. Apply as a foliar spray in sufficient water to obtain thorough coverage of the plant. Under high disease pressure, use the application rate of 4 oz/A.	<ul style="list-style-type: none"> <li>Do not apply within 35 days of harvest.</li> <li>Do not apply more than 4 oz/A per season.</li> <li>Do not make more than one application per season.</li> </ul>

**CROP SPECIFIC DIRECTIONS, RESTRICTIONS AND LIMITATIONS**

PEANUT					
Disease	Application Rates		When to Apply	Special Use Instructions	Use Restrictions
	oz/A	GPA			
Leaf Spot – Early ( <i>Cercospora arachidicola</i> ) Leaf Spot – Late ( <i>Cercosporidium personatum</i> ) Rust ( <i>Puccinia arachidis</i> )	1.75 to 2.5 (0.054 to 0.078 lb ai/A)	10 to 20 Aerial: Minimum 5 GPA	Schedule: Apply <i>Quash</i> Fungicide in applications 1, 2, 6 and 7 on a 14 day schedule. Applications 3, 4 and 5 should target leaf spot and rust with a non-Group 3 fungicide.	For optimal control of leaf spot and rust, tank mix <i>Quash</i> Fungicide with a non-ionic surfactant. Apply as a foliar spray in sufficient water to obtain thorough coverage of the plant.	<ul style="list-style-type: none"> <li>Do not apply within 14 days of harvest.</li> <li>Do not apply more than 16 oz/A per season.</li> <li>Do not harvest peanut straw for livestock feed.</li> </ul>
Stem Rot/ Southern Blight ( <i>Sclerotium rolfsii</i> )	2.5 to 4.0 (0.078 to 0.125 lb ai/A)	15 to 20 Aerial: Minimum 5 GPA	Make applications on a 14 day schedule. Apply <i>Quash</i> Fungicide in applications 3, 4, 5 and 6. Tank mix <i>Headline</i> ® with <i>Quash</i> Fungicide in applications 4 and 6 for resistance management. Applications 1, 2 and 7 should target leaf spot with a non-Group 3 fungicide such as chlorothalonil.	Under high disease pressure use the higher rate.	

**CROP SPECIFIC DIRECTIONS, RESTRICTIONS AND LIMITATIONS – TUBEROUS AND CORM VEGETABLES (Subgroup 1C)**

Arracacha; Arrowroot; Artichoke, Chinese; Artichoke, Jerusalem; Canna, (edible); Cassava, (Bitter and Sweet); Chayote (root); Chufa; Dasheen (taro); Ginger; Leren; Potato; Sweet Potato; Tanier; Turmeric; Yam Bean; Yam, True					
Diseases	Application Rates		When to Apply	Special Use Instructions	Use Restrictions
	oz/A	GPA			
Black Dot ( <i>Colletotrichum coccodes</i> ) Brown Spot ( <i>Alternaria alternata</i> ) Early Blight ( <i>Alternaria solani</i> ) Gray Mold ( <i>Botrytis cinerea</i> ) (suppression) Powdery Mildew ( <i>Erysiphe cichoracearum</i> ) Anthracnose ( <i>Colletotrichum acutatum</i> )	2.5 to 4.0 (0.078 to 0.125 lb ai/A)	Ground: Minimum 10 Aerial: Minimum 5 GPA	Apply when conditions favor disease development and prior to infection. If conditions favor disease development, make additional applications at 7 to 10-day intervals.	Use <i>Quash</i> Fungicide as part of an Integrated Pest Management (IPM) program. Apply as a foliar spray in sufficient water to obtain thorough coverage of plant.	<ul style="list-style-type: none"> <li>Do not make more than 4 applications per season.</li> <li>Do not make more than 2 sequential applications.</li> <li>Do not apply within 1 day of harvest.</li> <li>Do not apply more than 16 oz/A per season.</li> </ul>
White Mold ( <i>Sclerotinia sclerotiorum</i> )	4.0 (0.125 lb ai/A)		Make first application prior to infection, generally at row closure and/or first bloom. Make second application 14 days later if conditions favor white mold development.		

**CROP SPECIFIC DIRECTIONS, RESTRICTIONS AND LIMITATIONS – STONE FRUIT**

Cherry (Sweet and Tart)					
Diseases	Application Rates		When to Apply	Special Use Instructions	Use Restrictions
	oz/A	GPA			
Brown Rot Blossom Blight ( <i>Monilinia</i> spp.) Green Fruit Rot/Jacket Rot ( <i>Botrytis cinerea</i> ) (suppression)	2.5 to 3.5 (0.078 to 0.11 lb ai/A)	100 to 400 Aerial: Minimum 20 GPA	Begin applications at green tip. If conditions are favorable for disease development, make additional applications at full bloom and at petal fall.	Use <i>Quash</i> Fungicide as part of an Integrated Pest Management (IPM) program.  Apply as a foliar spray in sufficient water to obtain thorough coverage of blossoms, foliage and/or fruit.  Under high disease pressure use the higher rate and shorter spray intervals.	<ul style="list-style-type: none"> <li>Do not apply within 14 days of harvest.</li> <li>Do not make more than 2 applications after petal fall.</li> <li>Do not make more than 3 applications per season.</li> <li>Do not apply more than 12 oz/A per season.</li> </ul>
Cherry Leaf Spot ( <i>Blumeriella jaapii</i> ) – excluding pathogen types resistant to Group 3 fungicides	4.0 (0.125 lb ai/A)				
Fruit Brown Rot ( <i>Monilinia</i> spp.)	2.5 to 4.0 (0.078 to 0.125 lb ai/A)				
Powdery Mildew ( <i>Podosphaera clandestina</i> )	3.5 to 4.0 (0.11 to 0.125 lb ai/A)		Following brown rot/blossom blight schedule, make additional applications on a 10 to 14 day interval until terminal growth ceases. Application can be made after harvest.		
Apricot, Nectarine and Peach					
Diseases	Application Rates		When to Apply	Special Use Instructions	Use Restrictions
	oz/A	GPA			
Brown Rot Blossom Blight ( <i>Monilinia</i> spp.) Green Fruit Rot/Jacket Rot ( <i>Botrytis cinerea</i> ) (suppression) Scab ( <i>Cladosporium carpophilum</i> ) Shot Hole ( <i>Wilsonomyces carpophilus</i> )	2.5 to 3.5 (0.078 to 0.11 lb ai/A)	100 to 400 Aerial: Minimum 20 GPA	Begin applications at early pink bud stage before infection occurs. If conditions are favorable for disease development, make additional applications at full bloom and at petal fall.	Use <i>Quash</i> Fungicide as part of an Integrated Pest Management (IPM) program.  Apply as a foliar spray in sufficient water to obtain thorough coverage of blossoms, foliage and/or fruit.  Under high disease pressure use the higher rate and shorter spray intervals.	<ul style="list-style-type: none"> <li>Do not apply within 14 days of harvest.</li> <li>Do not make more than 2 applications after petal fall.</li> <li>Do not make more than 3 applications per season.</li> <li>Do not apply more than 12 oz/A per season.</li> </ul>

(continued)

**CROP SPECIFIC DIRECTIONS, RESTRICTIONS AND LIMITATIONS – STONE FRUIT (continued)**

Apricot, Nectarine and Peach					
Diseases	Application Rates		When to Apply	Special Use Instructions	Use Restrictions
	oz/A	GPA			
Fruit Brown Rot ( <i>Monilinia</i> spp.)	2.5 to 4.0 (0.078 to 0.125 lb ai/A)	100 to 400 Aerial: Minimum 20 GPA	Make application 14 to 21 days prior to harvest.	Use <i>Quash</i> Fungicide as part of an Integrated Pest Management (IPM) program.  Apply as a foliar spray in sufficient water to obtain thorough coverage of blossoms, foliage and/or fruit.  Under high disease pressure use the higher rate and shorter spray intervals.	<ul style="list-style-type: none"> <li>Do not apply within 14 days of harvest.</li> <li>Do not make more than 2 applications after petal fall.</li> <li>Do not make more than 3 applications per season.</li> <li>Do not apply more than 12 oz/A per season.</li> </ul>
Powdery Mildew ( <i>Podosphaera</i> spp.)	3.5 to 4.0 (0.11 to 0.125 lb ai/A)				
Rust ( <i>Tranzschelia discolor</i> )	3.5 (0.11 lb ai/A)		Begin application when bud tissue is susceptible to disease development (i.e., pink, white or red bud). If conditions are favorable for disease development, make a second application at full bloom or at petal fall.		
Plum, Plumcot and Prune (Fresh)					
Diseases	Application Rates		When to Apply	Special Use Instructions	Use Restrictions
	oz/A	GPA			
Brown Rot Blossom Blight ( <i>Monilinia</i> spp.)	2.5 to 3.5 (0.078 to 0.11 lb ai/A)	100 to 400 Aerial: Minimum 20 GPA	Begin applications at green tip. If conditions are favorable for disease development, make additional applications at full bloom and at petal fall.	Use <i>Quash</i> Fungicide as part of an Integrated Pest Management (IPM) program.  Apply as a foliar spray in sufficient water to obtain thorough coverage of blossoms, foliage and/or fruit.  Under high disease pressure use the higher rate and shorter spray intervals.	<ul style="list-style-type: none"> <li>Do not apply within 14 days of harvest.</li> <li>Do not make more than 2 applications after petal fall.</li> <li>Do not make more than 3 applications per season.</li> <li>Do not apply more than 12 oz/A per season.</li> <li>Do not apply <i>Quash</i> Fungicide to "Stanley" type plums.</li> </ul>
Rust ( <i>Tranzschelia discolor</i> )	3.5 (0.11 lb ai/A)				
Powdery Mildew ( <i>Podosphaera</i> spp.)	3.5 to 4.0 (0.11 to 0.125 lb ai/A)		Following brown rot/blossom blight schedule, make additional applications on a 10 to 14 day interval until terminal growth ceases.		

**CROP SPECIFIC DIRECTIONS, RESTRICTIONS AND LIMITATIONS – TREE NUTS**

Almond; Beech Nut; Brazil Nut; Butternut; Cashew; Chestnut; Chinquapin; Hickory Nut; Macadamia Nut; Walnut					
Diseases	Application Rates		When to Apply	Special Use Instructions	Use Restrictions
	oz/A	GPA			
Alternaria Leaf Spot ( <i>Alternaria</i> spp.) Brown Rot Blossom Blight ( <i>Monilinia</i> spp.) Scab ( <i>Cladosporium carpophilum</i> )	2.5 to 3.5 (0.078 to 0.11 lb ai/A)	100 to 400 Aerial: Minimum 20 GPA	Begin applications prior to disease development and continue at a 7 to 14 day interval throughout the season.	Use <i>Quash</i> Fungicide as part of an Integrated Pest Management (IPM) program.  Apply as a foliar spray in sufficient water to obtain thorough coverage of blossoms, foliage and/or fruit.  Under high disease pressure use the higher rate and shorter spray intervals.	<ul style="list-style-type: none"> <li>Do not apply within 25 days of harvest.</li> <li>Do not make more than 2 applications after petal fall.</li> <li>Do not make more than 4 applications per season.</li> <li>Do not apply more than 14 oz/A per season.</li> </ul>
Anthraxnose ( <i>Marssonina juglandis</i> ) Botryosphaeria Blight ( <i>Botryosphaeria</i> spp.) Powdery Mildew ( <i>Podosphaera</i> spp.) Rust ( <i>Tranzschelia discolor</i> )	3.5 (0.11 lb ai/A)				
Shot Hole ( <i>Wilsonomyces carpophilus</i> )	2.5 (0.078 lb ai/A)				
Hull Rot ( <i>Monilinia</i> spp., <i>Rhizopus</i> spp.) (suppression)	2.5 to 3.5 (0.078 to 0.11 lb ai/A)				
Filbert					
Diseases	Application Rates		When to Apply	Special Use Instructions	Use Restrictions
	oz/A	GPA			
Eastern Filbert Blight ( <i>Anisogramma anomala</i> )	3.5 (0.11 lb ai/A)	100 to 400 Aerial: Minimum 20 GPA	Begin applications starting at bud swell to bud break and continue at 14 day intervals.  <i>Quash</i> Fungicide is most effective when applied and allowed to dry before a rainfall.	Apply as a foliar spray in sufficient water to obtain thorough coverage of all branches. Alternate row applications are not recommended.  Under conditions which favor disease development, shorten spray interval to 10 days.	<ul style="list-style-type: none"> <li>Do not apply within 25 days of harvest.</li> <li>Do not make more than 2 sequential <i>Quash</i> Fungicide applications before switching to a non-Group 3 fungicide for resistance management.</li> <li>Do not make more than 4 applications per season.</li> <li>Do not apply more than 14 oz/A per season.</li> </ul>

(continued)

**CROP SPECIFIC DIRECTIONS, RESTRICTIONS AND LIMITATIONS – TREE NUTS (continued)**

Pecan					
Diseases	Application Rates		When to Apply	Special Use Instructions	Use Restrictions
	oz/A	GPA			
Scab ( <i>Cladosporium caryigenum</i> )	2.5 to 3.5 (0.078 to 0.11 lb ai/A)	100 to 400 Aerial: Minimum 20 GPA	Begin applications when leaves reach one-half mature size.  Continue to make scab applications if scab model predicts need.	Use <i>Quash</i> Fungicide as part of an Integrated Pest Management (IPM) program.  Apply as a foliar spray in sufficient water to obtain thorough coverage of blossoms, foliage and/or fruit.  Under high disease pressure use the higher rate and shorter spray intervals.	<ul style="list-style-type: none"> <li>Do not apply within 25 days of harvest.</li> <li>Do not make more than 2 sequential <i>Quash</i> Fungicide applications before switching to a non-Group 3 fungicide for resistance management.</li> <li>Do not make more than 4 applications per season.</li> <li>Do not apply more than 14 oz/A per season.</li> </ul>
Pistachio					
Diseases	Application Rates		When to Apply	Special Use Instructions	Use Restrictions
	oz/A	GPA			
Panicle and Shoot Blight ( <i>Botryosphaeria dothidea</i> ) Alternaria Late Blight ( <i>Alternaria</i> spp.) Botrytis Blossom and Shoot Blight ( <i>Botrytis cinerea</i> ) Septoria Leaf Spot ( <i>Septoria pistaciarum</i> )	4.0 (0.125 lb ai/A)	100 to 400 Aerial: Minimum 20 GPA	Apply prior to onset of disease development and continue on 2 to 3 week interval.	Use <i>Quash</i> Fungicide as part of an Integrated Pest Management (IPM) program.  Apply as a foliar spray in sufficient water to obtain thorough coverage of blossoms, foliage and/or fruit.  Under high disease pressure use the shorter spray interval.	<ul style="list-style-type: none"> <li>Do not apply within 25 days of harvest.</li> <li>Do not make more than 2 sequential <i>Quash</i> Fungicide applications before switching to a non-Group 3 fungicide for resistance management.</li> <li>Do not make more than 4 applications per season.</li> <li>Do not apply more than 16 oz/A per season.</li> </ul>



## STORAGE AND DISPOSAL

Do not contaminate water, food or feed by storage, disposal or cleaning of equipment.

### PESTICIDE STORAGE

Store in a cool dry place.

Keep pesticide in original container.

Keep container closed when not in use.

Do not put dilute into food or drink containers.

Do not store in or around the home.

For help with any spill, leak, fire or exposure involving this material, call day or night 800-892-0099.

### PESTICIDE DISPOSAL

Waste resulting from the use of this product may be disposed of on site or at an approved waste disposal facility.

### CONTAINER HANDLING

Nonrefillable container. Do not reuse or refill this container. Offer for recycling, if available. Clean container promptly after emptying. Triple rinse as follows: Empty the remaining contents into application equipment or a mix tank and drain for 10 seconds after the flow begins to drip. Fill the container 1/4 full with water and recap. Shake for 10 seconds. Pour rinsate into application equipment or a mix tank or store rinsate for later use or disposal. Drain for 10 seconds after the flow begins to drip. Repeat this procedure two more times.

©2015 Valent U.S.A. Corporation

*Quash* is a registered trademark of Valent U.S.A. Corporation  
Folicur is a registered trademark of Bayer  
Headline is a registered trademark of BASF  
Nova is a registered trademark of Dow AgroSciences LLC  
Procure is a registered trademark of Chemtura Corporation  
Tilt is a registered trademark of Syngenta

Manufactured for:

**Valent U.S.A. Corporation**

P.O. Box 8025

Walnut Creek CA 94596-8025

Made in U.S.A.

Form 1761-E

059639-00147.20130614.MET50WDG.AMEND.FINAL

SAL20130812

EPA Reg. No. 59639-147

EPA Est. No. 67545-AZ-01

**FORM:** 1761-E  
**NAME:** Quash Fungicide  
**KIND:** Composite Booklet  
**SPEC:** 11508:375

**PRODUCT SIZE:** 5 LB  
**LABEL SIZE:** 5-1/2"(w) x 6-1/2"(h) - book closed  
11"(w) x 6-1/2"(h) - book open  
6-1/4"(w) x 6-1/2"(h) - base  
**UCC:** (01) 0 06 53204 08697 6

PMS 308  
PMS 348  
Process Blue  
Process Black

←.5625" →      5-1/8"      ←.5625" →

**GROUP 3 FUNGICIDE**

## NET WEIGHT 5 POUNDS

**FOR CONTROL AND/OR SUPPRESSION OF CERTAIN DISEASES IN BUSHBERRIES (SUBGROUP 13-07B, INCLUDING BLUEBERRY), CANOLA, PEANUT, STONE FRUIT, TREE NUTS AND TUBEROUS AND CORM VEGETABLES (SUBGROUP 1C, INCLUDING POTATO)**



Active Ingredient	By Wt.
Metconazole* .....	50%
Other Ingredients .....	50%
Total .....	100%

\*5-[(4-chlorophenyl)methyl]-2,2-dimethyl-1-(1H-1,2,4-triazol-1-ylmethyl)cyclopentanol

Quash® Fungicide is a water dispersible granule containing 50% active ingredient.

EPA Reg. No. 59639-147 EPA Est. 67545-AZ-01

**KEEP OUT OF REACH OF CHILDREN**

## CAUTION

**SEE NEXT PAGE FOR ADDITIONAL PRECAUTIONARY STATEMENTS AND FIRST AID.**

**Valent U.S.A. Corporation**

P.O. Box 8025  
Walnut Creek CA 94596-8025

**QUASH®**  
FUNGICIDE

Form 1761-E

← 6-1/4" →

Base

6-1/2"